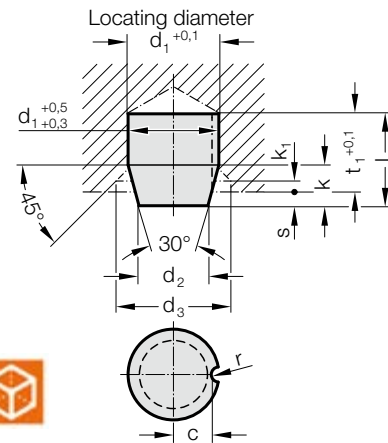


COMPRESSION PAD SHEDDER INSERT



Material:
FIBROFLEX®
Hardness 90 Shore A

2471.6.

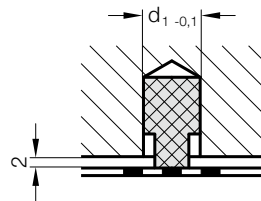


2471.6. Compression Pad

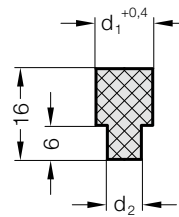
Order No	d ₁	d ₂	d ₃	l	k	k ₁	t ₁	r	c	Compressive force [N]	at s
2471.6.006	6	3,6	10	9,5	4,5	1	8	0	0	100	1,5
2471.6.010	10	6	16	15,5	7,5	2	13	1	4	450	2,5
2471.6.016	16	9,5	22	25	12	5	21	1,5	6,5	1,500	4
2471.6.024	24	18	32	25	10	2	21	2	10	3,000	4
2471.6.030	30	20	38	35	19	10	30	2,5	12,5	3,000	5
2471.6.032	32	24	40	32	14	4	26	3	13	12,000	6
2471.6.039	39,5	30	50	40	16	4,75	34	3	16,8	25,000	6



Mounting example



247.6.



247.6. Shedder insert

Order No	d ₁	d ₂	Stripping force [daN]
247.6.008.016	8	4	20
247.6.010.016	10	6	25
247.6.012.016	12	8	30

Description:

Instead of conventional shedder pins and their springs as well as set screws, FIBROFLEX® Shedder Inserts are simply pressed into matching holes (see mounting example).

Material:

FIBROFLEX®
Hardness 90 Shore A