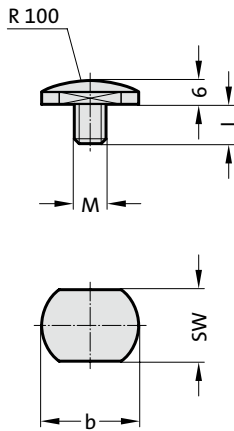


# THRUST PAD PRESSURE PLATE

2480.004.



2480.004. Thrust Pad

Order No	Socket cap screw		b	l
	DIN EN ISO 4762	SW		
2480.004.06	6	17	20	6
2480.004.08	8	19	22.5	11

**Description:**

Thrust pad for gas springs with M6 and M8 thread in the piston rod, not for 2480.13.00500.□□□.

**Material:**

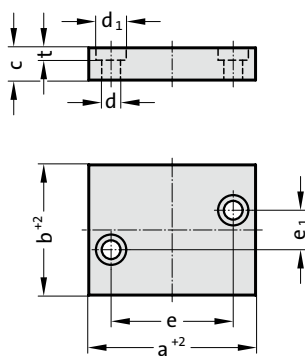
No 1.7131, case-hardened

**Attention:**

Can only be used for gas springs, standard 2480.12./13.!



2480.009.



2480.009. Pressure plate

Order No*	max. piston rod diameter	a	b	c	d	d <sub>1</sub>	e	e <sub>1</sub>	t
2480.009.00500	20	55	30	12	7	11	40	14	7
2480.009.00500.1	20	55	32	16	9	15	37	0	9
2480.009.00750	25	70	35	15	9	15	48	14	9
2480.009.00750.1	36	65	50	16	9	15	47	0	9
2480.009.01500	36	75	50	15	9	15	56	30	9
2480.009.03000	50	85	60	15	9	15	66	40	9
2480.009.03000.1	50	80	60	16	9	15	62	0	9
2480.009.05000	65	100	80	20	11	18	72	56	11
2480.009.05000.2	65	102	80	20	11	18	80	0	11
2480.009.07500	80	110	100	20	11	18	85	75	11
2480.009.07500.2	80	117	100	20	11	18	95	0	11
2480.009.10000.1	90	132	100	20	11	18	110	0	11

\*Execution .1/.2 to Volvo standard

**Material:**

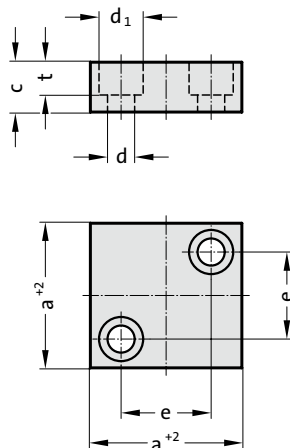
No 1.2842, hardened

or

No 1.2379, hardened



2480.018.



2480.018. Pressure plate

Order No	max. piston rod diameter	a	c	d	d <sub>1</sub>	e	t

**Material:**

No 1.2842, hardened

