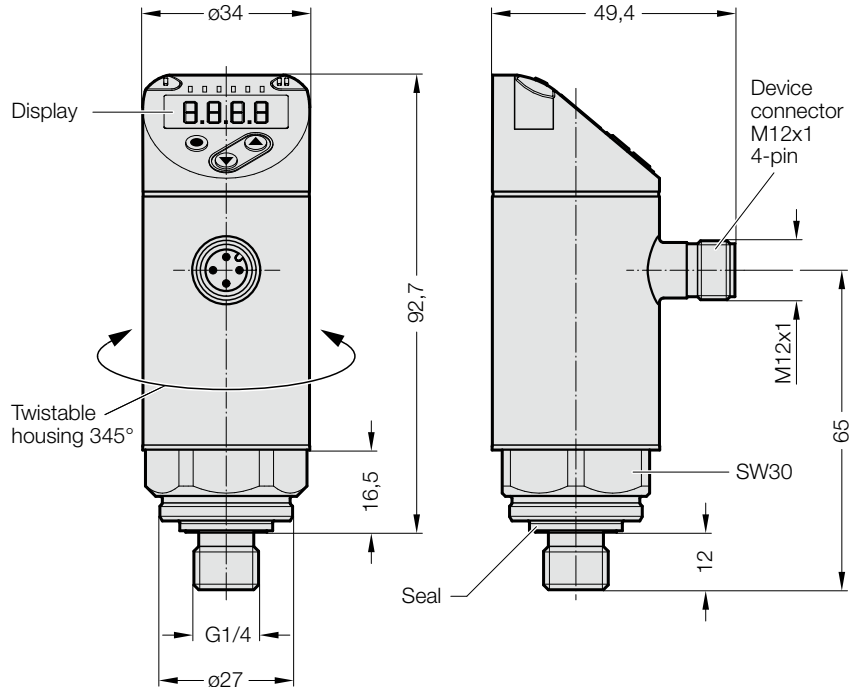


# DIAPHRAGM PRESSURE SWITCH, DIGITAL

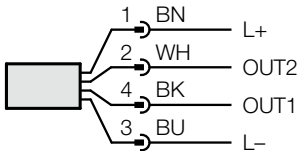


2480.00.45.04



## Pin assignment:

M12x1, 4-pin



OUT1 - Switch output, IO-LINK  
 OUT2 - Switch output, color coding in accordance with DIN EN 60947-5-2

## Note:

2191.00.12.04.030 connecting cable, straight  
 3 m long, to be ordered separately.



## Description:

The membrane pressure switch, digital 2480.00.45.04, has a 4 digit alphanumeric display and two programmable switch outputs. The membrane pressure switch works in a pressure range of up to 400 bar and is impressive with a high overload resistance. With a high protection class IP65/IP67 and requiring no service, it guarantees interference-free and safe operation. The membrane pressure switch, digital with G 1/4 A nitrogen connection and M12 plug connection, is the optimal solution for hydraulic and pneumatic applications.

## Advantages:

- Two switch outlets, one of which with IO link communication interface
- Red-Green alternating display for clear designation of Good ranges
- 4-digit digital display
- Optimal line up due to adjustability of the housing by 345°
- Switching direction of the switch outputs adjustable (opening or closing function)
- Value display in bar, psi or MPa or freely scalable, for example, force
- Easy handling via button programming
- Robust design for use in rough industrial environment

## Technical data:

### Product features:

Output signal	Switch signal; IO-LINK; (configurable)
Measuring range	400 bar
Threaded connection	G1/4

Number of digital outputs	2
output function	Closer/Opener; (parameterizable)
Max. voltage drop	
Switch output DC	2,5 V
Short circuit protection	yes

### Area of application:

Media	liquid and gaseous media
Medium temperature	-25 ... 80°C
Min. burst pressure	1700 bar
Compressive strength	800 bar

### Ambient conditions:

Protection type IP 65; IP 67

### Approvals/Tests:

EMW	DIN EN 61000-6-2 DIN EN 61000-6-3
-----	--------------------------------------

### Electrical data:

Operating voltage	18 ... 30 V DC; (according to EN 50178 SELV/PELV)
Current consumption	< 35 mA
Protection class	III
Reverse polarity protection	yes
Readiness delay	0,3 s

### Mechanical data:

Materials	1.4542 (Stainless steel)
Tightening torque	25 ... 35 Nm

### Outputs:

Output signal	Switch signal; IO-LINK; (configurable)
Electrical design	PNP/NPN

### Displays/Control elements:

Display	Display unit	3x LED, green (bar, psi, MPa)
	Switch state	2x LED, yellow
	Measured values	alphanumeric display, red / green 4-digit