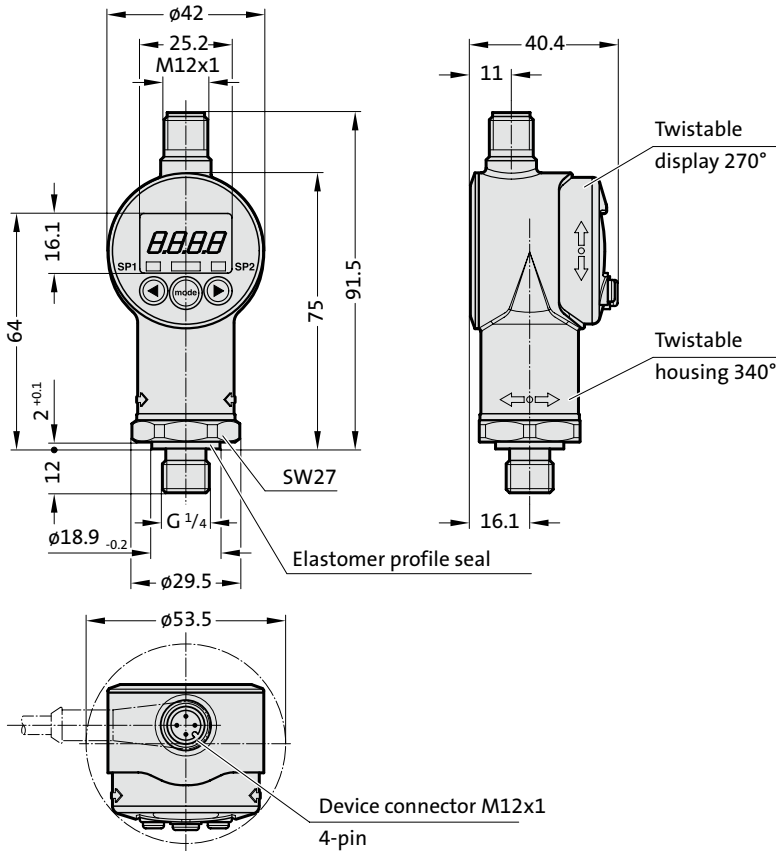


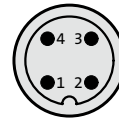
# DIAPHRAGM PRESSURE SWITCH, DIGITAL

2480.00.45.05



## Pin assignment:

M12x1, 4-pin



Pin

1	+UB
2	Analogue
3	0 V
4	SP1

## Note:

2191.00.12.04.030 connecting cable, straight 3 m long, to be ordered separately.

## Description:

The diaphragm pressure switch, digital 2480.00.45.05 is a compact, electronic pressure switch with integrated digital display for relative pressure measurement in the high pressure range.

For this purpose, it has a stainless steel measuring cell with thin film strain gauge (DMS).

The device offers a switching output and a switchable analogue output signal (4 ... 20 mA resp. 0 ... 10 V).

## Advantages:

- 1 PNP transistor output, loadable up to 1.2 A
- Precision  $\leq \pm 1\%$  FS
- Switchable analogue output (4 ... 20 mA / 0 ... 10 V)
- 4-digit digital display
- Optimal alignment by twisting in two axes

- Switching direction of the switch outputs adjustable (opening or closing function)
- Value display in bar, psi or MPa or freely scalable, for example, force
- Easy handling via button programming
- Switching points and reset hysteresis independently adjustable

## Technical data:

### Input characteristics:

Measuring range	400 bar
Overload range	800 bar
Burst pressure	2000 bar
Mechanical connection	G1/4
Tightening torque	20 Nm
Media-contacting parts	Connection piece: Stainless steel Seal: FPM (G1/4 A DIN 3852)

### Output parameters:

Precision according to DIN 16086,	$\leq \pm 0,5\%$ FS typical.
Limit point adjustment (Display, Analogue output)	$\leq \pm 1\%$ FS max.
Reproducibility	$\leq \pm 0,25\%$ FS max.
Temperature drift	$\leq \pm 0,025\%$ FS / °C max. Zero point $\leq \pm 0,025\%$ FS / °C max. range

### Analogue output:

Signal selectable:	4 ... 20 mA load max. 500 $\Omega$ 0 ... 10 V load min. 1 k $\Omega$
--------------------	-------------------------------------------------------------------------

### Switching outputs:

Execution	PNP transistor switching output
Switching current	max. 1,2 A
Operating temperature range	0° - 80°C
CE mark	EN 61000-6-1 / 2 / 3 / 4
Protection class according to DIN 40050	IP67

### Setting ranges for the switching outputs:

Switching function			
Measuring range	Switching point	Hysteresis	Increment*
in bar	in bar	in bar	in bar
0 ... 400	6,0 ... 400	2,0 ... 396	1

### Window function

Measuring range	Lower Switching value	Upper Switching value	Increment*
in bar	in bar	in bar	in bar
0 ... 400	6,0 ... 392	9,0 ... 396	1

\* All areas specified in the table are adjustable in the grid of the step width.