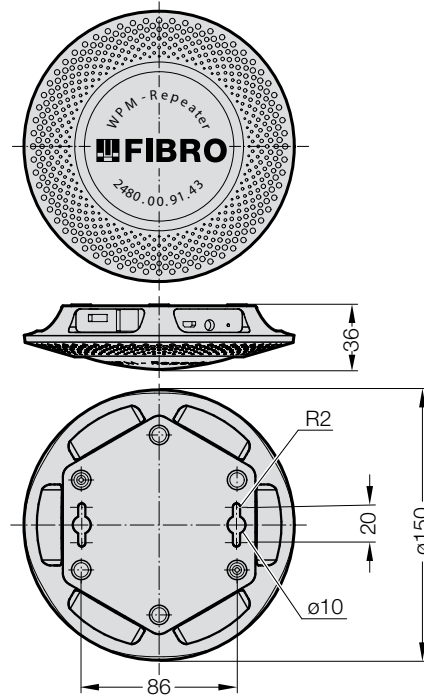


WIRELESS PRESSURE MONITORING 2.1 (WPM) REPEATER

2480.00.91.43



Order number for Repeater



DESCRIPTION

The FIBRO WPM-Repeater 2480.00.91.43 establishes the communication with the sensors as well as the data storage device (optional) in which the tools are to be monitored.

The FIBRO WPM Repeater 2480.00.91.43 is a Bluetooth Low Energy (BLE) to WiFi connector. It collects the data from the WPM sensors and WPM storage devices and then sends it via MQTT protocol over WiFi or Ethernet to the WPM Cloud software 2480.00.91.53, which is installed on a local server or remote cloud server.

The FIBRO WPM Repeater is equipped on the top with a coloured light ring for status indications. It can be fastened by means of the screw mounts on the backside.

Mounting screws and a drill jig are included.

The mounting of the repeater should be vertically. Wall mounting is therefore preferable to ceiling mounting.

NOTE

The WPM Repeater 2480.00.91.43 can only be operated in conjunction with the WPM Cloud Software 2480.00.91.53!

TECHNICAL SPECIFICATIONS

- Housing: Plastic, white
- Dimension: $\varnothing 150$ mm x 36 mm
- Weight: 180 g
- Operating temperature range: -25°C up to 65°C
- Air humidity: max. 95% non-condensing
- Power supply: DC 5V
- with Micro USB: 330 mA
- Frequency band: 2,4 GHz
- Range: 25 - 50 m (Free field)

SUPPLIED COMPONENTS

WPM Repeater, 1x Micro-USB cable, power supply, mounting screws with jig