

# LCF GAS SPRING, DAMPED

## Note:

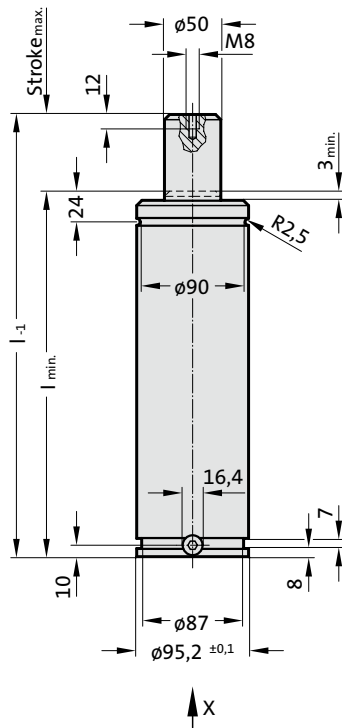
Initial spring force  $F_{\text{ref}}$  at 150 bar = 1600 daN  
 Full spring force after 3.8 mm damped spring travel

Order No for spare parts kit: 2484.13.03000

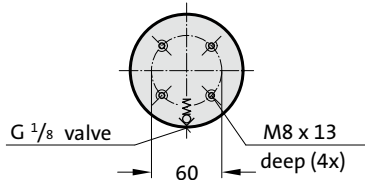
Gas spring without valve  
 Order No (example): 2484.13.03000. .P

Pressure medium: Nitrogen  $N_2$   
 Max. filling pressure: 150 bar  
 Min. filling pressure: 68 bar  
 Working temperature: 0°C to +80°C  
 Temperature related force increase:  $\pm 0.3\%/^{\circ}\text{C}$   
 Max. recommended extensions per minute:  
 approx. 15 to 40 (at 20°C)  
 Max. piston speed: 1.6 m/s

2484.13.03000.



View X - Gas spring

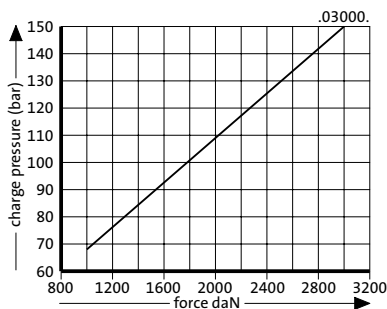


2484.13.03000.

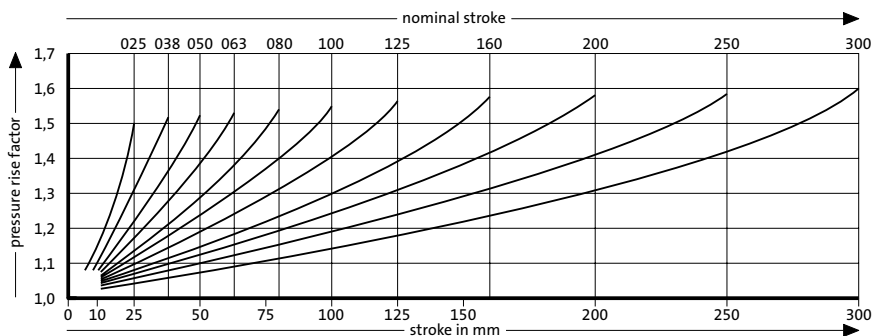
LCF Gas Spring, damped

| Order No          | Stroke <sub>max</sub> (s) | l <sub>min</sub> | l     |
|-------------------|---------------------------|------------------|-------|
| 2484.13.03000.025 | 25                        | 145              | 170   |
| 2484.13.03000.038 | 38.1                      | 158.1            | 196.2 |
| 2484.13.03000.050 | 50                        | 170              | 220   |
| 2484.13.03000.063 | 63.5                      | 183.5            | 247   |
| 2484.13.03000.080 | 80                        | 200              | 280   |
| 2484.13.03000.100 | 100                       | 220              | 320   |
| 2484.13.03000.125 | 125                       | 245              | 370   |
| 2484.13.03000.160 | 160                       | 280              | 440   |
| 2484.13.03000.200 | 200                       | 320              | 520   |
| 2484.13.03000.250 | 250                       | 370              | 620   |
| 2484.13.03000.300 | 300                       | 420              | 720   |

Initial spring force versus charge pressure



Spring force Diagram displacement versus stroke rise



Pressure rise factor accounts for displacement but not external influences!