

GAS SPRING POWERLINE

Note:

Initial spring force at 150 bar = 750 daN

Order No for spare parts kit: 2487.12.00750

Gas spring without valve

Order No (example): 2487.12.00750. .1.P

Pressure medium: Nitrogen N₂

Max. filling pressure: 150 bar

Min. filling pressure: 25 bar

Working temperature: 0°C to +80°C

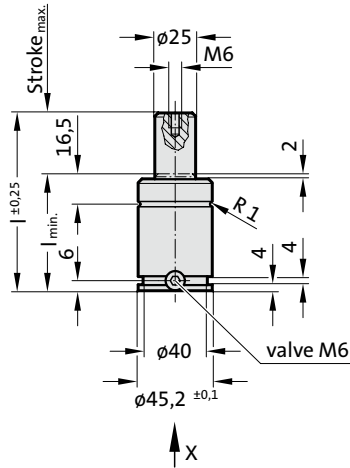
Temperature related force increase: ± 0.3%/°C

Max. recommended extensions per minute:

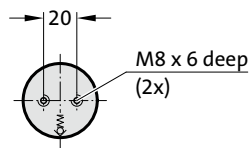
approx. 20 to 100 (at 20°C)

Max. piston speed: 1.6 m/s

2487.12.00750. .1



View X

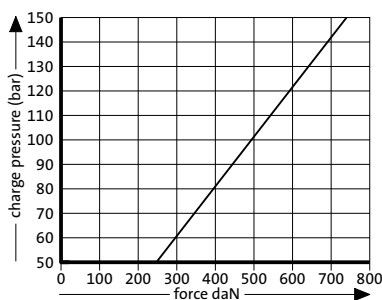


2487.12.00750. .1

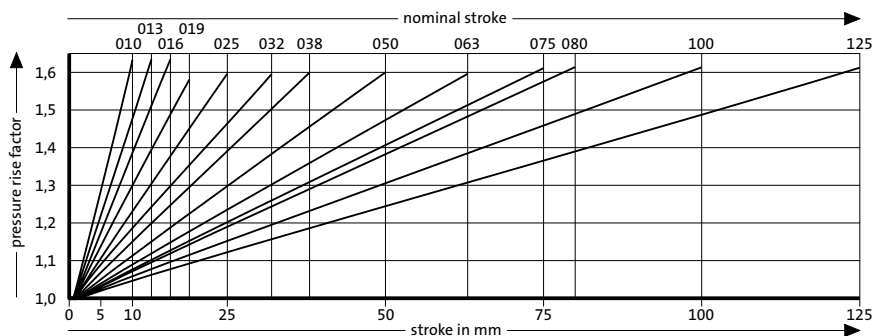
Gas spring POWERLINE

Order No	Stroke _{max.} (s)	l _{min.}	l
2487.12.00750.010.1	10	42	52
2487.12.00750.013.1	13	45	58
2487.12.00750.016.1	16	48	64
2487.12.00750.019.1	19	51	70
2487.12.00750.025.1	25	57	82
2487.12.00750.032.1	32	64	96
2487.12.00750.038.1	38	70	108
2487.12.00750.050.1	50	82	132
2487.12.00750.063.1	63	95	158
2487.12.00750.075.1	75	107	182
2487.12.00750.080.1	80	112	192
2487.12.00750.100.1	100	132	232
2487.12.00750.125.1	125	157	282

Initial spring force versus charge pressure



Spring force Diagram displacement versus stroke rise



Pressure rise factor accounts for displacement but not external influences!