

GAS SPRING POWERLINE

Note:

Initial spring force at 150 bar = 20000 daN

Order No for spare parts kit: 2487.12.20000

Gas spring without valve

Order No (example): 2487.12.20000. .P

Pressure medium: Nitrogen N₂

Max. filling pressure: 150 bar

Min. filling pressure: 25 bar

Working temperature: 0°C to +80°C

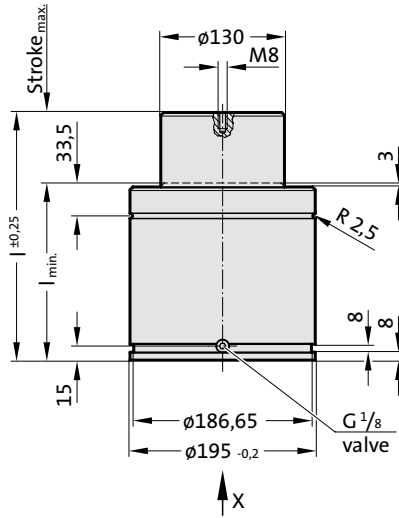
Temperature related force increase: ± 0.3%/°C

Max. recommended extensions per minute:

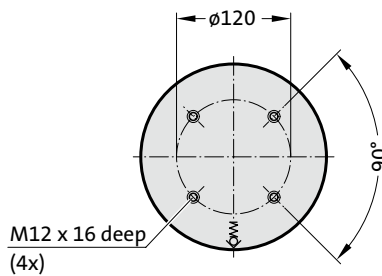
approx. 10 to 100 (at 20°C)

Max. piston speed: 1.6 m/s

2487.12.20000.



View X

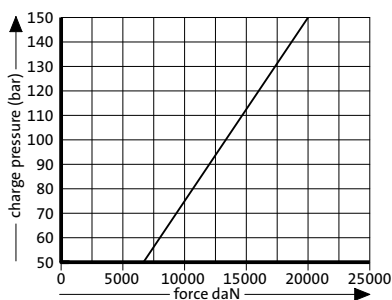


2487.12.20000.

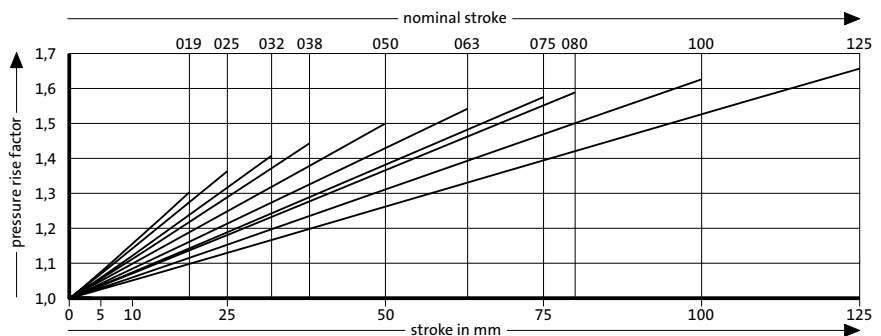
Gas spring POWERLINE

Order No	Stroke _{max.} (s)	l _{min.}	l
2487.12.20000.019	19	129	148
2487.12.20000.025	25	135	160
2487.12.20000.032	32	142	174
2487.12.20000.038	38	148	186
2487.12.20000.050	50	160	210
2487.12.20000.063	63	173	236
2487.12.20000.075	75	185	260
2487.12.20000.080	80	190	270
2487.12.20000.100	100	210	310
2487.12.20000.125	125	235	360

Initial spring force versus charge pressure



Spring force Diagram displacement versus stroke rise



Pressure rise factor accounts for displacement but not external influences!