

GAS SPRING POWERLINE WITH REINFORCED SPRING BASE

Note:

Initial spring force at 150 bar = 6630 daN

Order No for spare parts kit: 2487.12.06600

Pressure medium: Nitrogen N₂

Max. filling pressure: 150 bar

Min. filling pressure: 25 bar

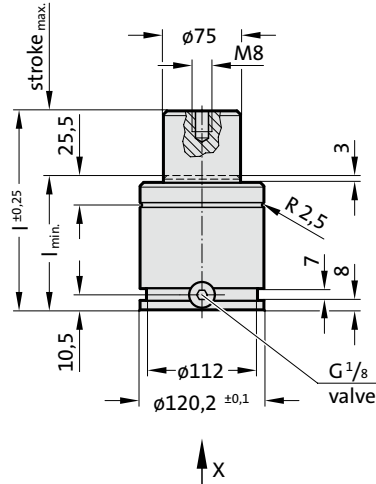
Working temperature: 0°C to +80°C

Temperature related force increase: ± 0.3%/°C

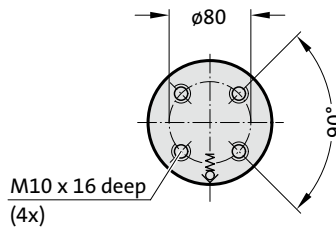
Max. recommended extensions per minute: approx. 20 to 100 (at 20°C)

Max. piston speed: 1.6 m/s

2487.12.33.06600.



View X

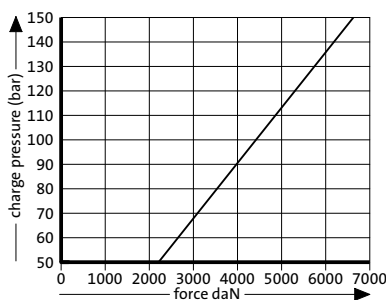


2487.12.33.06600.

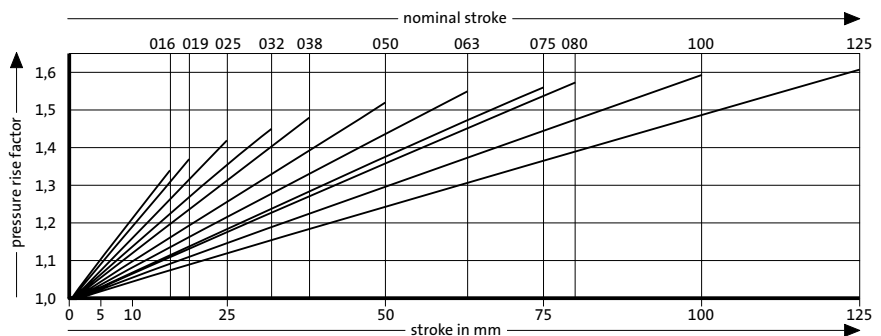
Gas spring POWERLINE with reinforced spring base

Order No	Stroke _{max.} (s)	l _{min.}	l
2487.12.33.06600.016	16	88	104
2487.12.33.06600.019	19	91	110
2487.12.33.06600.025	25	97	122
2487.12.33.06600.032	32	104	136
2487.12.33.06600.038	38	110	148
2487.12.33.06600.050	50	122	172
2487.12.33.06600.063	63	135	198
2487.12.33.06600.075	75	147	222
2487.12.33.06600.080	80	152	232
2487.12.33.06600.100	100	172	272
2487.12.33.06600.125	125	197	322

Initial spring force versus charge pressure



Spring force Diagram displacement versus stroke rise



Pressure rise factor accounts for displacement but not external influences!