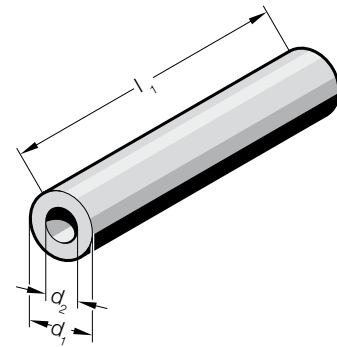


FIBROELAST®-HOLLOW ROUND ROD



2541.4.



Material:

Polyester-based polyurethane
Hardness 70 Shore A

Colour:

white

Note:

FIBROELAST®-Hollow round rods can also be used as springs.

Physical properties:

Shore hardness A: 70
100% modulus of elasticity: 3,0 [N/mm²]
300% modulus of elasticity: 6,0 [N/mm²]
Tensile strength: 28 [N/mm²]
Elongation: 500 [%]
Tear resistance: 58 [kN/m]

Permanent set (70°C): 45 [%]
Rebound elasticity: 55 [%]
Maximum deformation: 40 [%]

2541.4. FIBROELAST®-Hollow round rod

Order No	d ₁	d ₂	l ₁
2541.4.016	16	6.5	330
2541.4.020	20	8.5	500
2541.4.025	25	10.5	500
2541.4.032	32	13.5	500
2541.4.040	40	13.5	500
2541.4.050	50	17	500
2541.4.063	63	17	500
2541.4.080	80	21	500
2541.4.100	100	21	500
2541.4.125	125	27	500