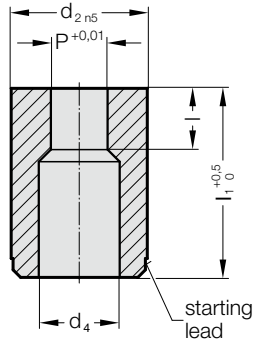


# MATRIX WITHOUT SHOULDER, ROUND, ISO 8977



2616.



## 2616. Matrix without shoulder, round, ISO 8977

d <sub>2</sub> / Order No	d <sub>4</sub>	P	l / Order No	l <sub>1</sub> / (Order Code character)	16 (B)	20 (C)	22 (D)	25 (E)	28 (F)	30 (G)	32 (H)	35 (J)	40 (K)
5 / (1)	2.8	1 - 2,4	2 (1)		●	●	●	●	●	●	●	●	
6 / (2)	3.5	1,6 - 3	3 (2)		●	●	●	●	●	●	●	●	
8 / (3)	4	2 - 3,5	4 (3)		●	●	●	●	●	●	●	●	
10 / (4)	5.8	2,5 - 5	4 (3) 8 (6)		●	●	●	●	●	●	●	●	
13 / (5)	8	4 - 7	5 (4) 8 (6)			●	●	●	●	●	●	●	
16 / (6)	9.5	6 - 9	5 (4) 8 (6)			●	●	●	●	●	●	●	
20 / (7)	12	8 - 11	8 (6) 12 (8)			●	●	●	●	●	●	●	
22 / (8)	15	9 - 14	8 (6) 12 (8)			●	●	●	●	●	●	●	
25 / (9)	17.3	10,7 - 16	8 (6) 12 (8)			●	●	●	●	●	●	●	
32 / (10)	20.7	15 - 20	8 (6) 12 (8)			●	●	●	●	●	●	●	
38 / (11)	27.7	19 - 27	8 (6) 12 (8)					●	●	●	●	●	
40 / (12)	27.7	19 - 27	8 (6) 12 (8)					●	●	●	●	●	
50 / (14)	37	26 - 36	8 (6) 12 (8)					●	●	●	●	●	●

### Material:

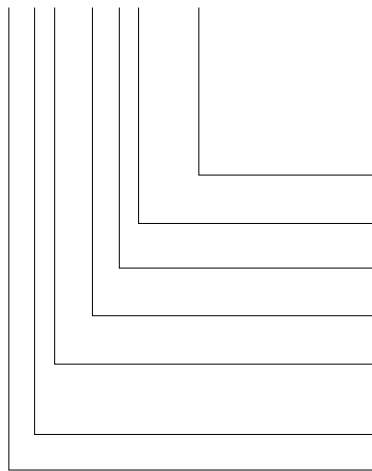
HSS  
Hardness 62 ± 2 HRC

### Execution:

Diameter d<sub>2</sub>, starting lead and face surfaces ground.  
Special dimensions on request.

Ordering Code (example): without anti-rotation element

**2616.10F8.1510**

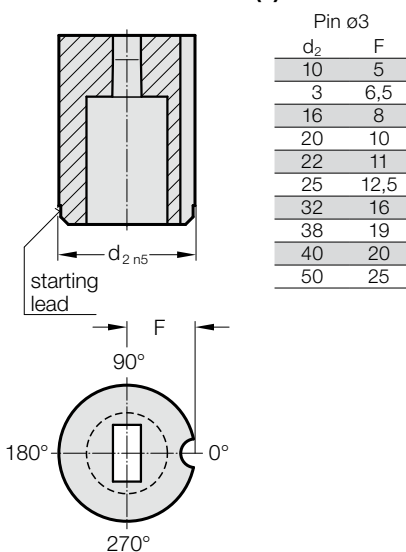


**Shape: round**  
P = 015,1 mm  
**Shape cutting length: l**  
12 mm  
**Length: l<sub>1</sub>**  
28 mm  
**Diameter: d<sub>2</sub>**  
32 mm  
**Type:**  
without shoulder  
ISO 8977  
**Execution:**  
round  
**Matrix**

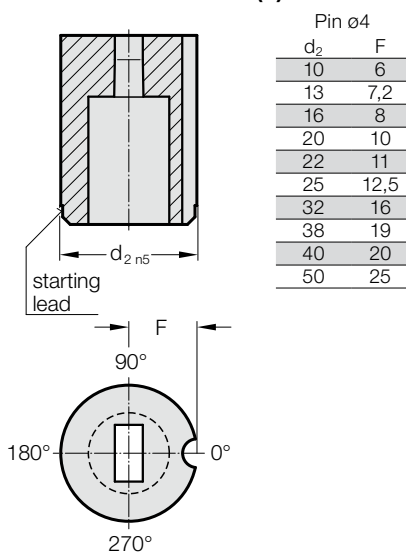
= 1510  
**Order No**  
= (8)  
**Order Code character**  
= (F)  
**Order No**  
= (10)  
**Order No**  
= (6)  
**Order No**  
= (1)  
= 26

# MATRIXES WITHOUT SHOULDER, CYLINDRICAL, ISO 8977, ANTI-ROTATION ELEMENTS

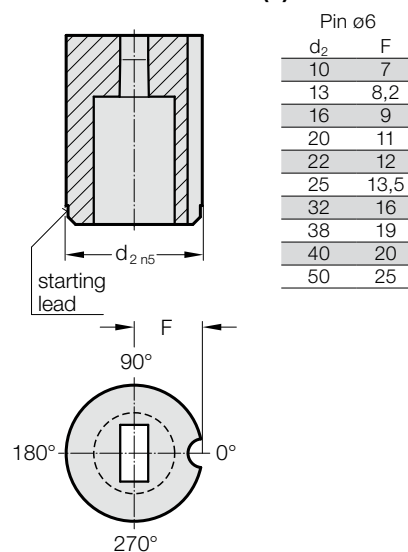
Anti-rotation element 1 (1)



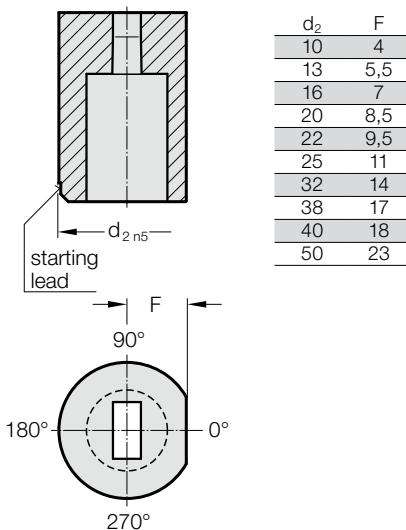
Anti-rotation element 2 (2)



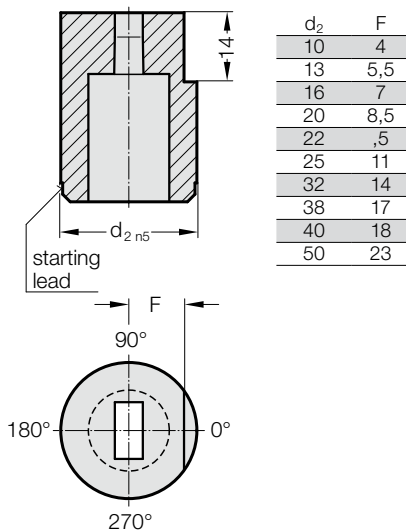
Anti-rotation element 3 (3)



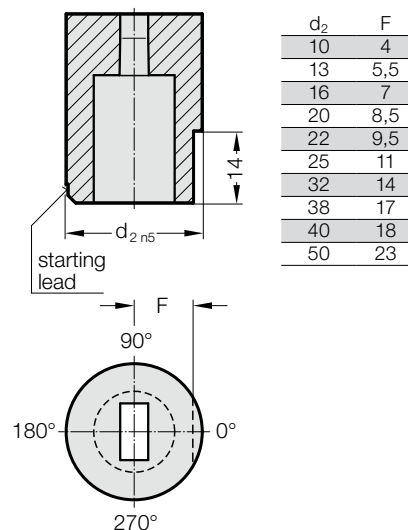
Anti-rotation element 4 (4)



Anti-rotation element 5 (5)

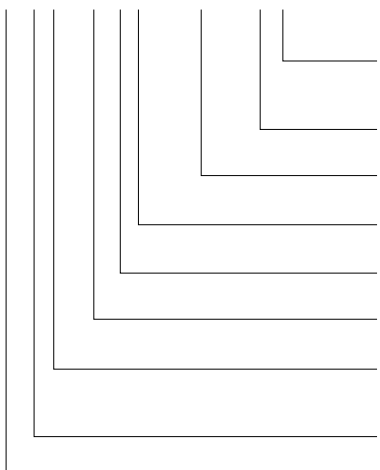


Anti-rotation element 6 (6)



Ordering Code (example): with anti-rotation element from  $d_2 \geq 10$  mm

**2616.10F8.1510.A4**



**Anti-rotation element:**  
Polished surface  
(continuous)  
**Angle:**  
0°  
**Shape: round**  
P = ø 15,1 mm  
**Shape cutting length: l**  
12 mm  
**Length: l1**  
28 mm  
**Diameter: d2**  
32 mm  
**Type:**  
without shoulder  
ISO 8977  
**Execution:**  
round  
**Matrix**

**Order No**  
= (4)  
**Order Code character**  
= (A)  
= 1510  
**Order No**  
= (8)  
**Order Code character**  
= (F)  
**Order No**  
= (10)  
**Order No**  
= (6)  
**Order No**  
= (1)  
= 26