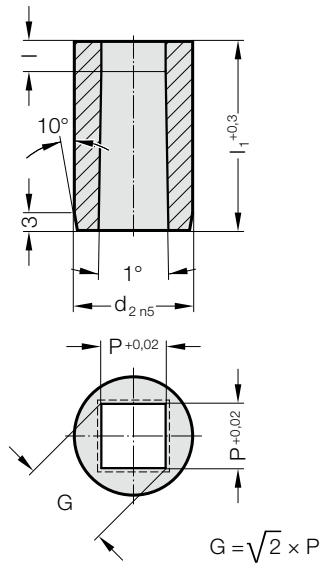


精密冲裁凹模 无凸缘，正方形，汽车标准



2625.



2625. 精密冲裁凹模 无凸缘，正方形，汽车标准

d ₂ / 订购数字	P _{min}	G _{max}	l / 订购数字	l ₁ / (订货字母)	13 (A)	16 (B)	20 (C)	22 (D)	25 (E)	28 (F)	30 (G)	32 (H)	35 (J)	40 (K)
10 / (4)	1.3	6.8	3 (2) 4 (3) 5 (4)		●	●	●	●	●	●	●	●	●	●
13 / (5)	1.9	8.8	3 (2) 5 (4) 8 (6)		●	●	●	●	●	●	●	●	●	●
16 / (6)	1.9	10.8	3 (2) 5 (4) 8 (6)				●	●	●	●	●	●	●	●
20 / (7)	1.9	13.6	3 (2) 5 (4) 10 (7)				●	●	●	●	●	●	●	●
22 / (8)	1.9	15	3 (2) 6 (5) 10 (7)				●	●	●	●	●	●	●	●
25 / (9)	1.9	17	3 (2) 6 (5) 10 (7)				●	●	●	●	●	●	●	●
32 / (10)	1.9	22	3 (2) 6 (5) 12 (8)				●	●	●	●	●	●	●	●
38 / (11)	1.9	27	3 (2) 8 (6) 12 (8)				●	●	●	●	●	●	●	●
40 / (12)	1.9	27	3 (2) 8 (6) 12 (8)				●	●	●	●	●	●	●	●
45 / (13)	2.4	35	3 (2) 8 (6) 12 (8)				●	●	●	●	●	●	●	●
50 / (14)	4	40	3 (2) 8 (6) 12 (8)				●	●	●	●	●	●	●	●
56 / (15)	4	45	3 (2) 8 (6) 12 (8)				●	●	●	●	●	●	●	●
63 / (16)	4	50	3 (2) 8 (6) 12 (8)				●	●	●	●	●	●	●	●
71 / (17)	4	56	3 (2) 8 (6) 12 (8)				●	●	●	●	●	●	●	●
76 / (18)	5.6	60	3 (2) 8 (6) 12 (8)				●	●	●	●	●	●	●	●
85 / (19)	5.6	66	3 (2) 8 (6) 12 (8)				●	●	●	●	●	●	●	●
90 / (20)	5.6	70	3 (2) 8 (6) 12 (8)				●	●	●	●	●	●	●	●
100 / (21)	5.6	78	3 (2) 8 (6) 12 (8)				●	●	●	●	●	●	●	●

材料:

HSS
硬度 62 ± 2 HRC

结构:

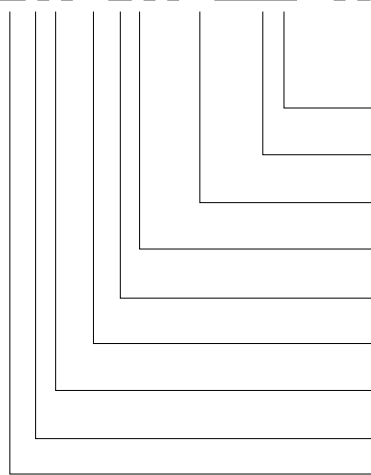
磨直径 d₂ 以及端面。
特别尺寸请洽询

说明:

一起订购切削冲头和切削衬套时，如果切削间隙 ≤ 0.04 mm，则 FIBRO 会将形状的尖角倒圆。借此，缩短安装时间并降低运行时边缘断裂的风险。

订购示例: 带扭防扭转元素

2 6 2 5 . 1 0 F 8 . 1 3 5 0 . A 3

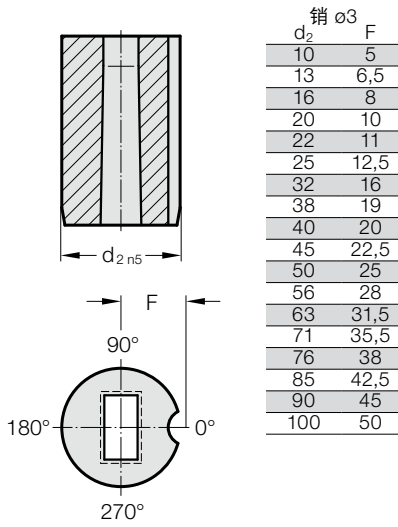


防扭转元素:
销 ∅ 6 mm
角度:
0°
形状: 正方形, 长度 P
P = 13,5 mm
成型截面切削刃长度: l
12 mm
长度: l₁
28 mm
直径: d₂
32 mm
型号: 无凸缘
汽车标准
规格:
正方形
冲裁凹模

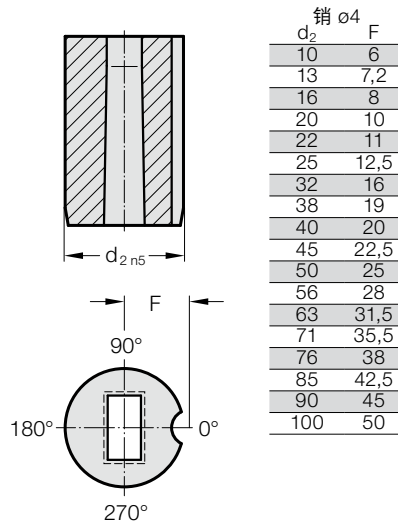
订购数字 = (3)
订货字母 = (A)
= (1350)
订购数字 = (8)
订货字母 = (F)
订购数字 = (10)
订购数字 = (5)
订购数字 = (2)
= 26

精密冲裁凹模 无凸缘，汽车标准，防扭转元素

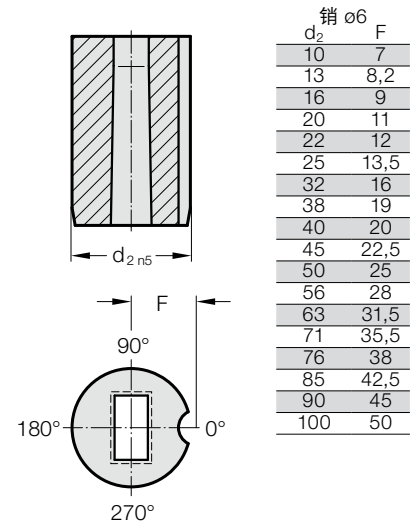
防扭转元素 1 (1)



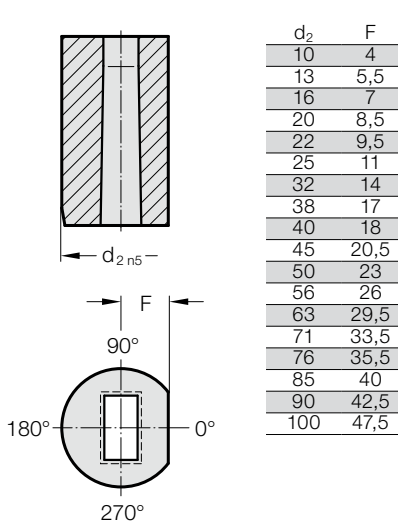
防扭转元素 2 (2)



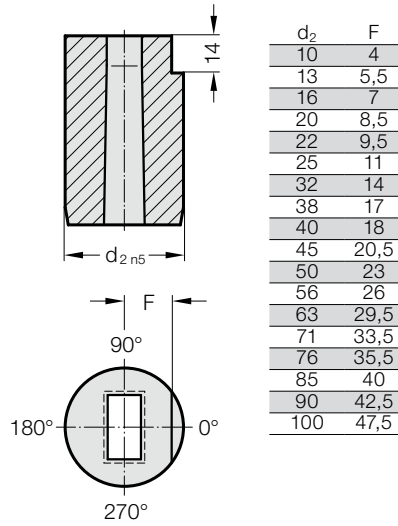
防扭转元素 3 (3)



防扭转元素 4 (4)



防扭转元素 5 (5)



防扭转元素 6 (6)

