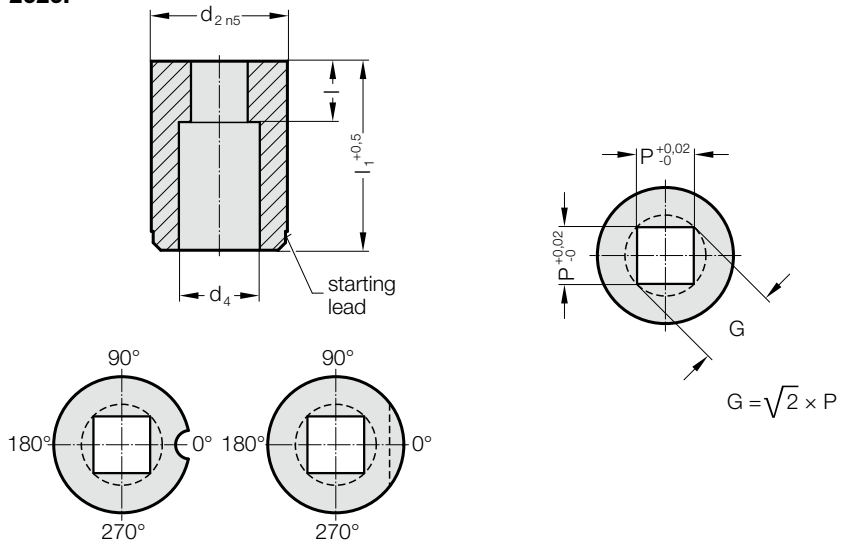


# MATRIX WITHOUT SHOULDER, SQUARE, ISO 8977



2626.



## 2626. Matrix without shoulder, square, ISO 8977

| d <sub>2</sub> / Order No | d <sub>4</sub> | P <sub>min</sub> | G <sub>max</sub> | I /<br>Order No | l <sub>1</sub> / (Order Code character) | 16<br>(B) | 20<br>(C) | 22<br>(D) | 25<br>(E) | 28<br>(F) | 30<br>(G) | 32<br>(H) | 35<br>(J) | 40<br>(K) |
|---------------------------|----------------|------------------|------------------|-----------------|---|-----------|-----------|-----------|-----------|-----------|-----------|-----------|-----------|-----------|
| 10 / (4)                  | 5.8            | 1.2              | 5                | 4 (3) 8 (6)     |   | ●         | ●         | ●         | ●         | ●         | ●         | ●         | ●         | ●         |
| 13 / (5)                  | 8              | 2                | 7                | 5 (4) 8 (6)     |   |           | ●         | ●         | ●         | ●         | ●         | ●         | ●         | ●         |
| 16 / (6)                  | 9.5            | 2.4              | 9                | 5 (4) 8 (6)     |   |           | ●         | ●         | ●         | ●         | ●         | ●         | ●         | ●         |
| 20 / (7)                  | 12             | 3.2              | 11               | 8 (6) 12 (8)    |   |           | ●         | ●         | ●         | ●         | ●         | ●         | ●         | ●         |
| 22 / (8)                  | 15             | 4                | 14               | 8 (6) 12 (8)    |   |           | ●         | ●         | ●         | ●         | ●         | ●         | ●         | ●         |
| 25 / (9)                  | 17.3           | 4.8              | 16               | 8 (6) 12 (8)    |   |           | ●         | ●         | ●         | ●         | ●         | ●         | ●         | ●         |
| 32 / (10)                 | 20.7           | 5.5              | 20               | 8 (6) 12 (8)    |   |           | ●         | ●         | ●         | ●         | ●         | ●         | ●         | ●         |
| 38 / (11)                 | 27.7           | 6.4              | 27               | 8 (6) 12 (8)    |   |           |           |           | ●         | ●         | ●         | ●         | ●         | ●         |
| 40 / (12)                 | 27.7           | 6.4              | 27               | 8 (6) 12 (8)    |   |           |           |           | ●         | ●         | ●         | ●         | ●         | ●         |
| 50 / (14)                 | 37             | 9                | 36               | 8 (6) 12 (8)    |   |           |           |           | ●         | ●         | ●         | ●         | ●         | ●         |

### Material:

HSS  
Hardness 62 ± 2 HRC

### Execution:

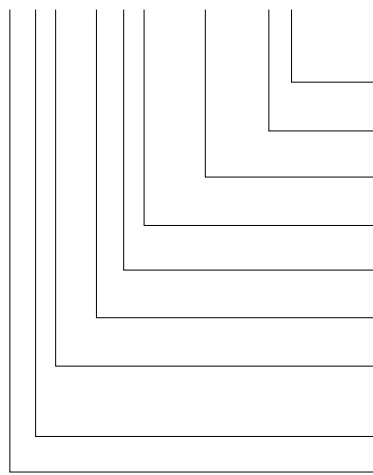
Diameter d<sub>2</sub>, starting lead and face surfaces ground.  
Special dimensions on request.

### Note:

With kerf ≤ 0.04 mm, FIBRO rounds off sharp edges if the punch and piercing die bush are ordered together. This reduces the fitting time and the risk of an edge break during operation.

### Ordering Code (example): with anti-rotation element

**2626.10F8.1350.A3**



#### Anti-rotation element:

Pin Ø 6 mm

Angle:

0°

#### Shape: square, Length P

P = 13,5 mm

#### Shape cutting length: l

12 mm

#### Length: l<sub>1</sub>

28 mm

#### Diameter: d<sub>2</sub>

32 mm

#### Type:

without shoulder  
ISO 8977

#### Execution:

square

Matrix

#### Order No

= (3)

#### Order Code character

= (A)

= 1350

#### Order No

= (8)

#### Order Code character

= (F)

#### Order No

= (10)

#### Order No

= (6)

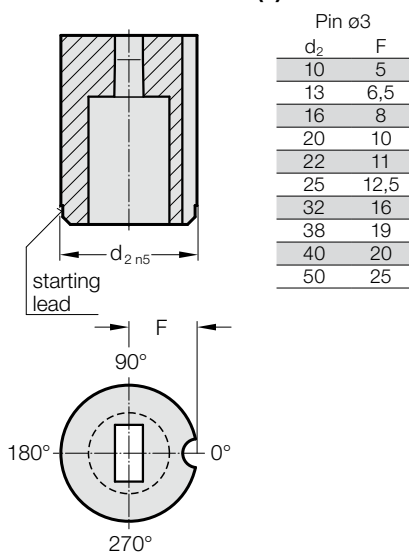
#### Order No

= (2)

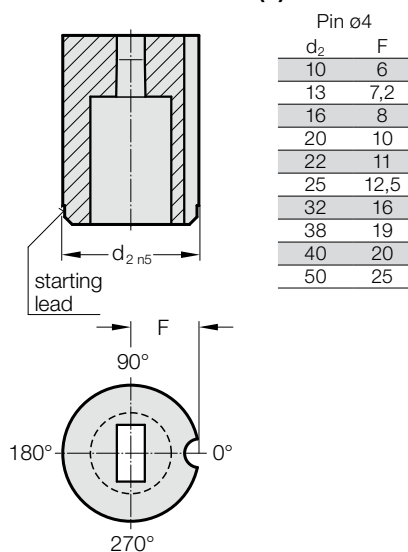
= 26

# MATRIXES WITHOUT SHOULDER, CYLINDRICAL, ISO 8977, ANTI-ROTATION ELEMENTS

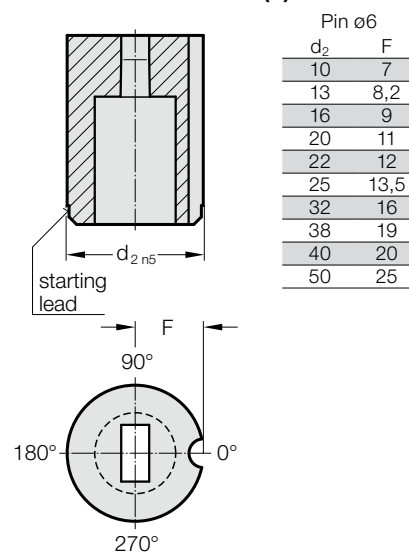
Anti-rotation element 1 (1)



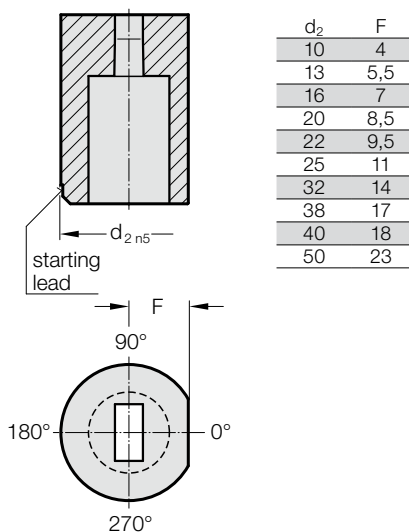
Anti-rotation element 2 (2)



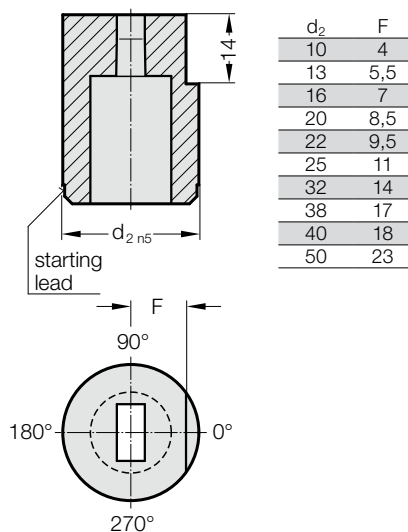
Anti-rotation element 3 (3)



Anti-rotation element 4 (4)



Anti-rotation element 5 (5)



Anti-rotation element 6 (6)

