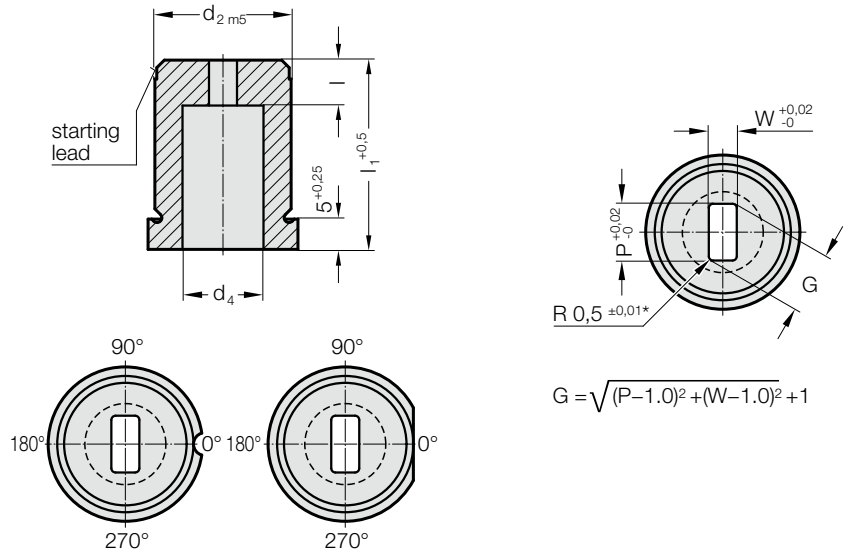


MATRIX WITH SHOULDER, RECTANGLE WITH RADIUSSED CORNERS, ISO 8977



2657.



2657. Matrix with shoulder, rectangle with radiused corners, ISO 8977

| d ₂ / Order No | d ₃ | d ₄ | W _{min} | G _{max} | l / Order No | l ₁ / (Order Code character) | 16 (B) | 20 (C) | 22 (D) | 25 (E) | 28 (F) | 30 (G) | 32 (H) | 35 (J) |
|---------------------------|----------------|----------------|------------------|------------------|-----------------|---|-----------|-----------|-----------|-----------|-----------|-----------|-----------|-----------|
| 8 / (3) | 11 | 4 | 1.2 | 3.5 | 4 (3) | | ● | ● | ● | ● | ● | ● | ● | ● |
| 10 / (4) | 13 | 5.8 | 1.2 | 5 | 4 (3) 8 (6) | | ● | ● | ● | ● | ● | ● | ● | ● |
| 13 / (5) | 16 | 8 | 2 | 7 | 5 (4) 8 (6) | | ● | ● | ● | ● | ● | ● | ● | ● |
| 16 / (6) | 19 | 9.5 | 2.4 | 9 | 5 (4) 8 (6) | | ● | ● | ● | ● | ● | ● | ● | ● |
| 20 / (7) | 23 | 12 | 3.2 | 11 | 8 (6) 12 (8) | | ● | ● | ● | ● | ● | ● | ● | ● |
| 22 / (8) | 25 | 15 | 4 | 14 | 8 (6) 12 (8) | | ● | ● | ● | ● | ● | ● | ● | ● |
| 25 / (9) | 28 | 17.3 | 4.8 | 16 | 8 (6) 12 (8) | | ● | ● | ● | ● | ● | ● | ● | ● |
| 32 / (10) | 35 | 20.7 | 5.5 | 20 | 8 (6) 12 (8) | | ● | ● | ● | ● | ● | ● | ● | ● |
| 38 / (11) | 41 | 27.7 | 6.4 | 27 | 8 (6) 12 (8) | | ● | ● | ● | ● | ● | ● | ● | ● |
| 40 / (12) | 43 | 27.7 | 6.4 | 27 | 8 (6) 12 (8) | | ● | ● | ● | ● | ● | ● | ● | ● |
| 50 / (14) | 53 | 37 | 6.4 | 36 | 8 (6) 12 (8) | | ● | ● | ● | ● | ● | ● | ● | ● |

Material:

HSS
Hardness 62 ± 2 HRC

Execution:

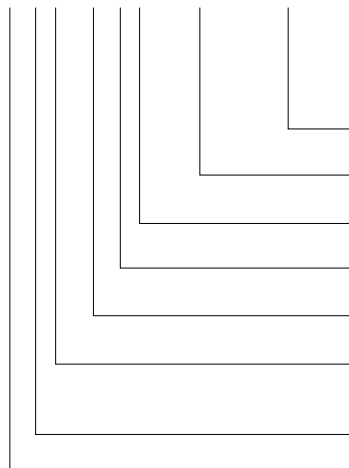
Diameter d₂, starting lead and face surfaces ground.

Special dimensions on request.

* For other radius options, see standardised special shapes.

Ordering Code (example): with anti-rotation element

2657.10F8.1350.0650.A1



Anti-rotation element:

Pin Ø 3 mm

Angle:

0°

Shape: rectangle with radiused corners, Width W

W = 6,5 mm

Shape: rectangle with radiused corners, Length P

P = 13,5 mm

Shape cutting length: l

12 mm

Length: l₁

28 mm

Diameter: d₂

32 mm

Type:

with shoulder

ISO 8977

Execution:

rectangle with radiused corners

Matrix

Order No

= (3)

Order Code character

= (A)

Order No

= 0650

Order No

= 1350

Order No

= (8)

Order Code character

= (F)

Order No

= (10)

Order No

= (7)

Order No

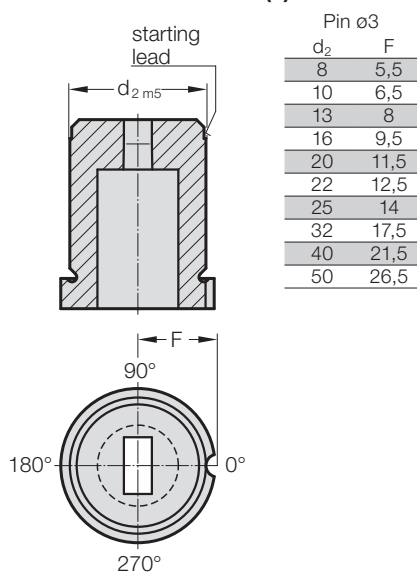
= (5)

Order No

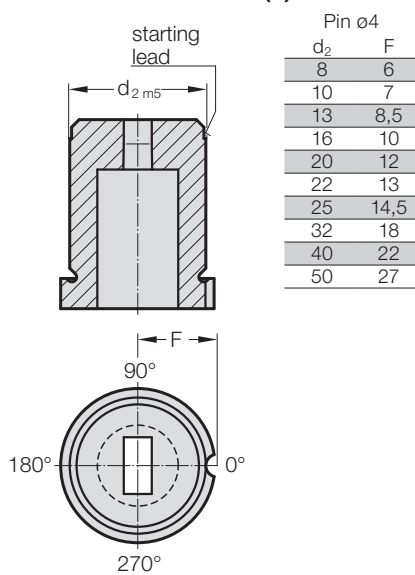
= 26

MATRIXES WITH SHOULDER, CYLINDRICAL, ISO 8977, ANTI-ROTATION ELEMENTS

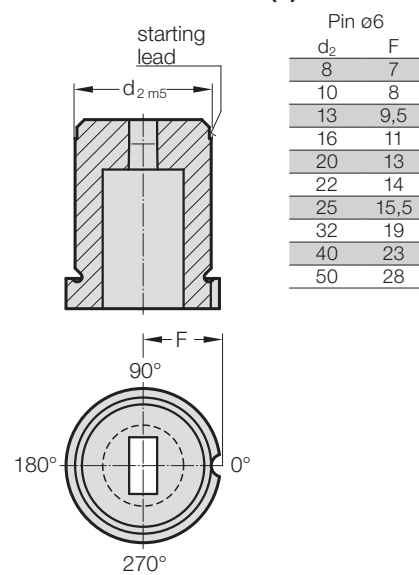
Anti-rotation element 1 (1)



Anti-rotation element 2 (2)



Anti-rotation element 3 (3)



Anti-rotation element 4 (4)

