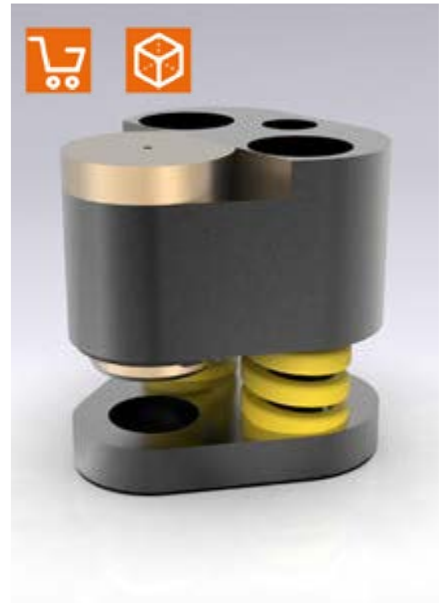
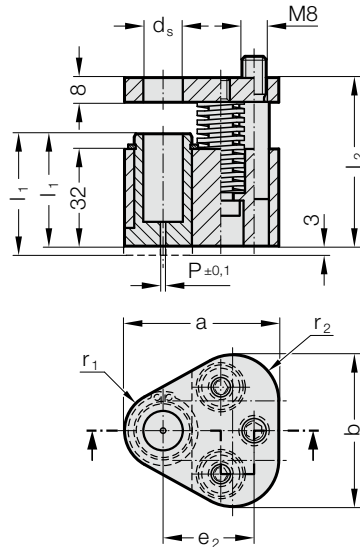


POLY STRIP STRIPPER UNIT, WITH START BOREHOLE, FOR BALL-LOCK PUNCH

2667.□□0□.



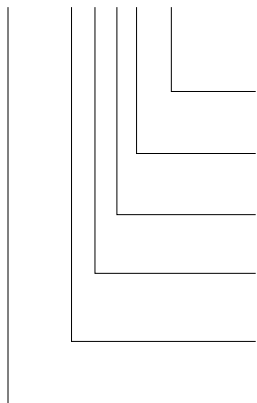
2667.xx0x. POLY STRIP stripper unit, with start borehole, for ball-lock punch

d _s / (Order Code character)	P	a	b	e ₂	r ₁	r ₂	Punch type					l ₁	37	40	
							l	SWL	SWL	SWS	SWL				SWS
							(Order Code character)	(D)	(E)	(G)	(F)	(H)			
10 / (F)	1.5	44.5	43.7	26.925	9.5	12	l ₂	55.5	65.5	55.5	75.5	65.5			
13 / (G)	1.5	50.8	50	29.97	12.7	15.2		●	●	●	●	●			
16 / (H)	1.5	54	53.2	31.75	14.3	16.8		●	●	●	●	●			
20 / (J)	1.5	60.3	59.5	33.53	17.5	20		●	●	●	●	●			
25 / (K)	1.5	69.9	69.1	40.64	22.2	24.7		●	●	●	●	●			
32 / (L)	1.5	69.9	69.1	40.64	22.2	24.7		●	●	●	●	●			
38 / (M)	1.5	77.4	76.6	43.99	26	28.5		●	●	●	●	●			
40 / (N)	1.5	77.4	76.6	43.99	26	28.5				●	●				

d _s / (Order Code character)	Punch type	Punch length l	Scraper bush l ₁	Stripping force max.[N]	SWL				SWS				
					080	080	090	090	SWL	SWL	SWS	SWS	
10 / (F)				1022	884	1280	810	786	1098	1022	884	1280	810
13 / (G)				1022	884	1280	810	786	1098	1022	884	1280	810
16 / (H)				2856	1668	3128	1282	1920	2688	2856	1668	3128	1282
20 / (J)				5049	2714	5124	2180	3120	4368	5049	2714	5124	2180
25 / (K)				5049	2714	5124	2180	3120	4368	5049	2714	5124	2180
32 / (L)				5049	2714	5124	2180	3120	4368	5049	2714	5124	2180
38 / (M)				5049	2714	5124	2180	3120	4368				
40 / (N)										5049	2714	5124	2180

Ordering Code (example):

2667.FE0A.A



Cutting form position:

0°

Scraper bush length: l₁

Standard

Cutting form:

Start borehole

Punch type/length: l

SWL / l = 90 mm

Punch diameter: d₁

d₁ = 10 mm

Stripper unit POLY STRIP

Order Code character

= (A)

Order Code character

= (A)

Order No

= (0)

Order Code character

= (E)

Order Code character

= (F)

= 2667

Description:

The brush cleaner unit is suitable for use with exterior skin panels.

Use with triangular mounting plate, for ball-lock punch 2664.05./06./10.

Material:

Scraper bush: CuZn25Al5 (no. 2.0598)

Scraper plate: 40CrMnMoS8-6 (no. 1.2312)

Pressure plate: 40CrMnMoS8-6 (no. 1.2312)

Note:

The stripper unit is available in 2 variants: Standard (A) and Long (B).

Long variant of the stripper unit with 3 mm projecting edge suitable for retrofitting a contour.