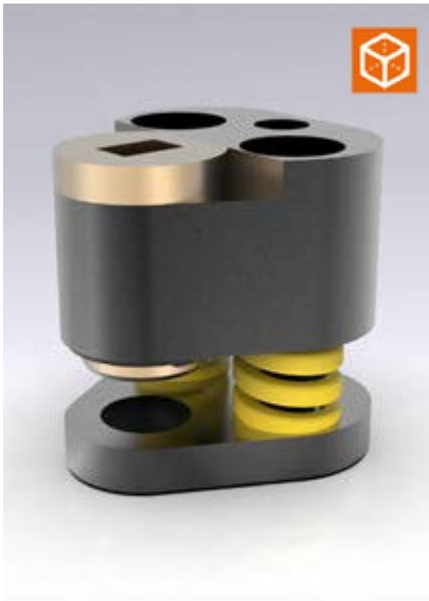
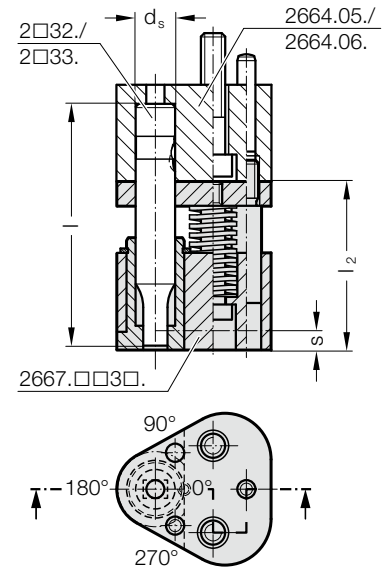
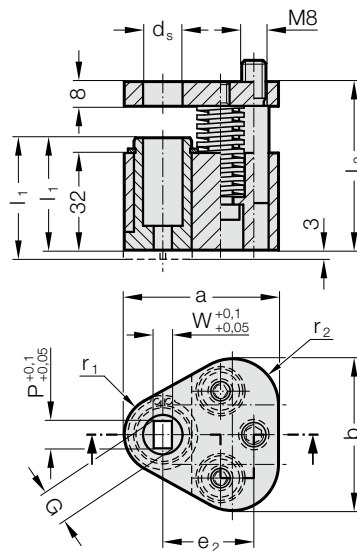


POLY STRIP STRIPPER UNIT, RECTANGLE, FOR BALL-LOCK PUNCH



2667.□□3□.



2667.xx3x. POLY STRIP stripper unit, rectangle, for ball-lock punch

d _s / (Order Code character)	W _{min}	G _{max}	a	b	e ₂	r ₁	r ₂	Punch type					l ₁ (Order Code character)	37 (A)	40 (B)
								l	SWL	SWS	SWL	SWS			
10 / (F)	1.6	9.9	44.5	43.7	26.925	9.5	12	80	90	90	100	100	37	40	
13 / (G)	4.5	12.9	50.8	50	29.97	12.7	15.2	80	90	90	100	100	37	40	
16 / (H)	6	15.9	54	53.2	31.75	14.3	16.8	80	90	90	100	100	37	40	
20 / (J)	8	19.9	60.3	59.5	33.53	17.5	20	80	90	90	100	100	37	40	
25 / (K)	10	24.9	69.9	69.1	40.64	22.2	24.7	80	90	90	100	100	37	40	
32 / (L)	12.5	31.9	69.9	69.1	40.64	22.2	24.7	80	90	90	100	100	37	40	
38 / (M)	14	37.9	77.4	76	43.9	26	28.5	80	90	90	100	100	37	40	
40 / (N)	14	39.9	77.4	76	43.9	26	28.5	80	90	90	100	100	37	40	

d _s / (Order Code character)	Punch type	Punch length l	Scraper bush l ₁	Stripping force max. [N]	SWL	SWL	SWL	SWL	SWL	SWL	SWS	SWS	SWS	SWS
					080	080	090	090	100	100	090	090	100	100
10 / (F)			37	1022	884	1280	810	786	1098	1022	884	1280	810	
13 / (G)			40	1022	884	1280	810	786	1098	1022	884	1280	810	
16 / (H)			37	2856	1668	3128	1282	1920	2688	2856	1668	3128	1282	
20 / (J)			40	5049	2714	5124	2180	3120	4368	5049	2714	5124	2180	
25 / (K)			37	5049	2714	5124	2180	3120	4368	5049	2714	5124	2180	
32 / (L)			40	5049	2714	5124	2180	3120	4368	5049	2714	5124	2180	
38 / (M)			37	5049	2714	5124	2180	3120	4368					
40 / (N)			40							5049	2714	5124	2180	

Description:

The brush cleaner unit is suitable for use with exterior skin panels.
Use with triangular mounting plate, for ball-lock punch 2664.05./06./10.

Material:

Scraper bush: CuZn25Al5 (no. 2.0598)
Scraper plate: 40CrMnMoS8-6 (no. 1.2312)
Pressure plate: 40CrMnMoS8-6 (no. 1.2312)

Note:

The stripper unit is available in 2 variants: Standard (A) and Long (B).
Long variant of the stripper unit with 3 mm projecting edge suitable for retrofitting a contour.
Choose the position of the cutting form in the scraper bush in accordance with the position of the installed punch in the mounting plate.

Ordering Code (example):

2667.FE3A.0800.0500.A

