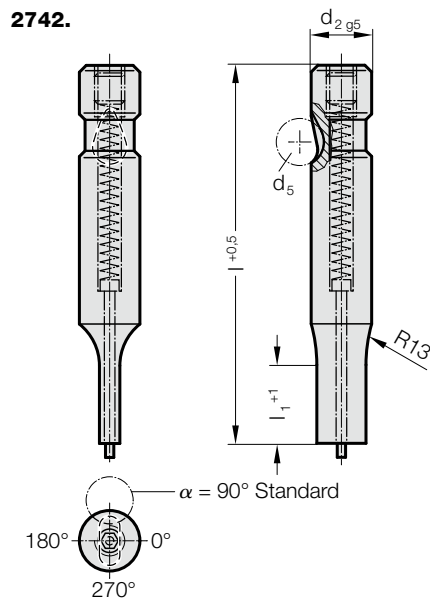


# BALL-LOCK PUNCH, STEPPED, SLOT, WITH EJECTOR PIN, LIGHT DUTY

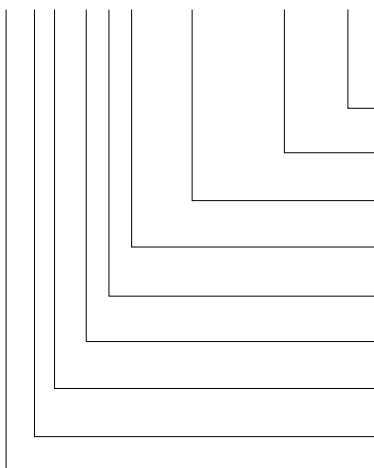


## 2742. Ball-Lock punch, stepped, slot, with ejector pin, light duty

$d_2$ / Order No	$d_5$	$W_{min}$	$G_{max}$	$l_1$ / Order No	$l$ (Order Code character)	63 (C)	71 (D)	80 (E)	90 (F)	100 (G)
6 / (1)	6	2.5	5.9	13(1)		●	●	●	●	●
10 / (2)	8	4	9.9	13(1) 19(2)		●	●	●	●	●
13 / (3)	8	6	12.9	13(1) 19(2)		●	●	●	●	●
16 / (4)	8	8	15.9	13(1) 19(2) 25(3)		●	●	●	●	●
20 / (5)	8	10	19.9	13(1) 19(2) 25(3)		●	●	●	●	●
25 / (6)	8	12	24.9	13(1) 19(2) 25(3)		●	●	●	●	●
32 / (7)	8	16	31.9	13(1) 19(2) 25(3)			●	●	●	●
38 / (8)	8	19	37.9	19(2) 25(3) 30(4)				●	●	●

### Ordering Code (example):

**2742.2F1.0650.0450.B**



**Angle:**  
90°  
**Shape: slot, Width W**  
W = 4,5 mm  
**Shape: slot, Length P**  
P = 6,5 mm  
**Punch cutting length:  $l_1$**   
13 mm  
**Length:  $l$**   
90 mm  
**Diameter:  $d_2$**   
10 mm  
**Type:**  
light  
**Execution:**  
slot  
**Punch:**  
with ejector pin

**Order Code character**  
= (B)  
= 0450  
= 0650  
**Order No**  
= (1)  
**Order Code character**  
= (F)  
**Order No**  
= (2)  
**Order No**  
= (2)  
**Order No**  
= (4)  
= 27

### Material:

HSS  
Hardness 62 ± 2 HRC

### Execution:

Shaft and punch shape fine ground.  
Special dimensions on request.