

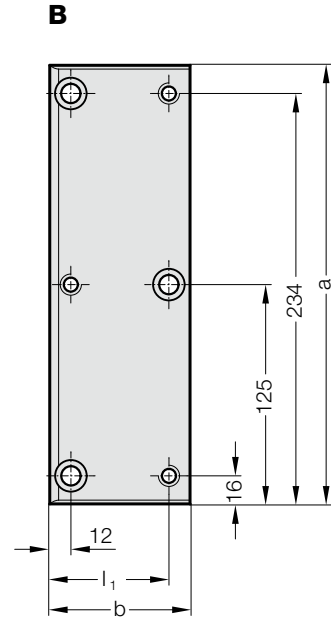
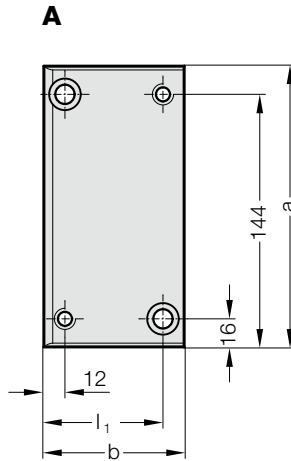
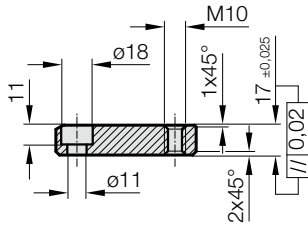
SLIDING PAD, STEEL, CNOMO



2962.84.45.



2962.84.45.



Material:

Steel, surface hardened

Note:

Screws are not included.

Fixing:

Use socket cap screws
DIN EN ISO 4762 M10.

2962.84.45. Sliding pad, Steel, CNOMO

Order No	Shape	b	a	l ₁	Number of screw counterbores	Number of threads
2962.84.45.050.17.160	A	50	160	38	2	2
2962.84.45.050.17.250	B	50	250	38	3	3
2962.84.45.080.17.160	A	80	160	68	2	2
2962.84.45.080.17.250	B	80	250	68	3	3