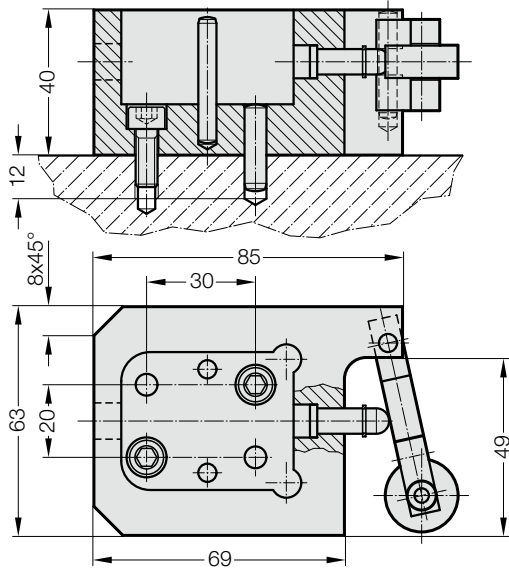


INSTALLATION FRAME FOR COUNTER VIEW

3710.00.12.01



3710.00.12.01 Installation frame for counter view

Note:

Fasten the installation frame on the tool, then insert the counter view.

Delivery includes:

2 socket head cap screws M6x16 to DIN EN ISO 4762 and 2 dowel pins 2361.1.0600.024

Attention:

After installing the counter view into the installation frame, disassembly is no longer possible (manipulation proof).

Mounting example

