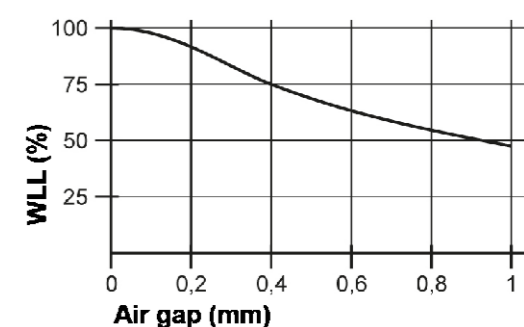
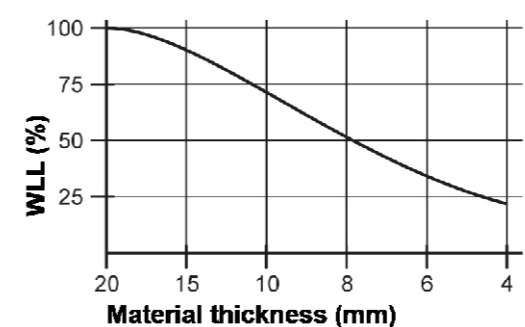
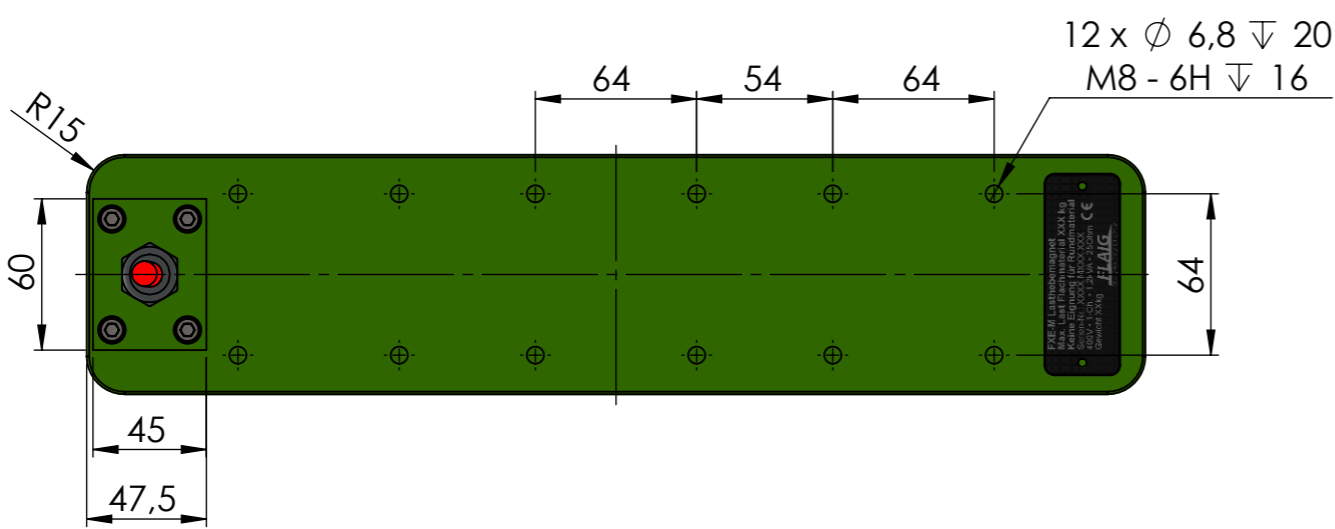
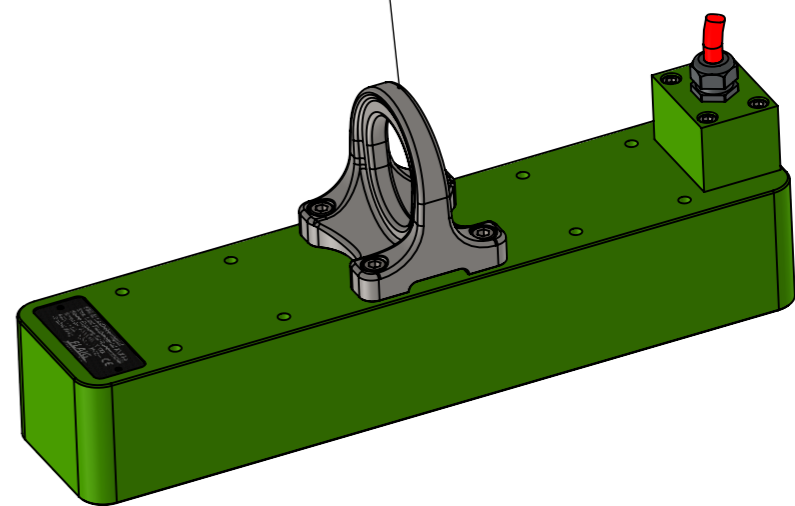


Crane lifting eye optional
Article number: 911010605



Specification FXE-M 600-50+	
Nominative Force: 22,8kN	lifting capacity EN 13155/WLL
Materialthickness >15mm (100%)	600kg
3,5kVA	
U: 380-480V Pulse	Protection Type IP 65
R: 7,8Ω	Protection category SK I

Schutzvermerk nach DIN ISO 16016 beachten! Nachdruck nur mit unserer Genehmigung!			
All rights reserved according to DIN ISO 16016! Reprint with our permission only!			
rev.	change	date	name

3,2	-0,05 -0,2	tolerance
		ISO 7168 M
date	name	
drawn 29.01.2021	MF	
edit 11.05.2022		
appr. 11.05.2022	TW	
FLAIG Magnetsysteme www.flraig-te.de		

material:	weight: 21.70
drawing no.:	0012828
description: FXE M 600-50+	
part no.:	10610611
sheet	1 / 1
A3	
scale: 1:3	Status: Freigegeben