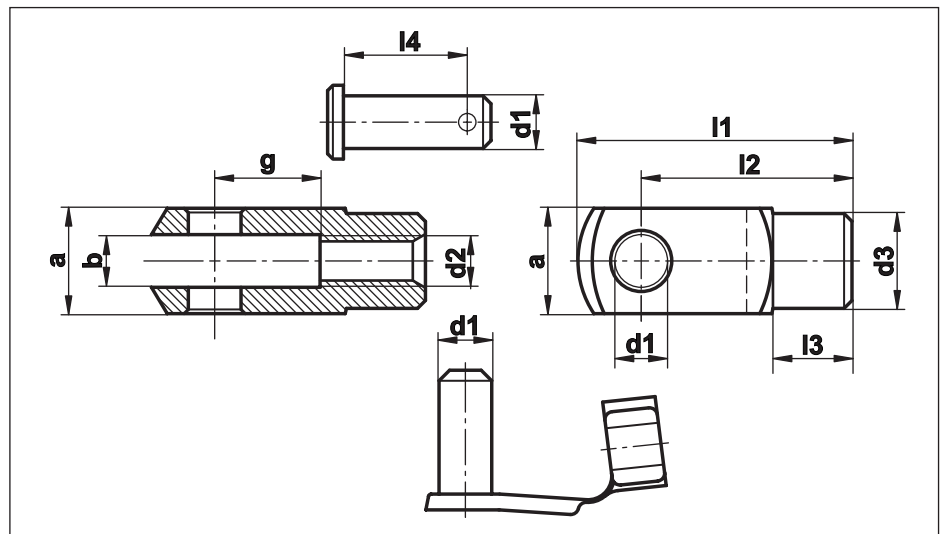


# Fork Heads / Fork Ball Joints

Fork Heads  
to  
DIN 71752  
Fork Ball Joints  
to  
DIN 71751  
With ES-Bolt (clevis  
spring pin) or cotter bolt

For use to transmit  
linear movements



Size	g	a	b B13	d H9/h11	d <sub>2</sub>	d <sub>3</sub>	l <sub>1</sub>	l <sub>2</sub>	l <sub>3</sub>	l <sub>4</sub>	Weight g		
											ES-Bolt	Cotter Bolt	Fork Head DIN 71752
4x8	8	8	4	4	M4	8	21	16	6,0	9,2	1,5	1,4	5
4x16	16						29	24					7
5x10	10	10	5	5	M5	9	26	20	7,5	12,0	2,7	2,4	9
5x20	20						36	30					13
6x12	12	12	6	6	M6	10	31	24	9,0	14,5	4,6	4,4	15
6x24	24						43	36					22
8x16	16	16	8	8	M8	14	42	32	12,0	18,7	10,4	9,4	37
8x32	32						58	48					54
10x20	20	20	10	10	M10	18	52	40	15,0	23,2	19,0	17,8	74
10x40	40						72	60					116
12x24	24	24	12	12	M12	20	62	48	18,0	28,2	33,5	33,6	121
12x48	48						86	72					175
14x28	28	27	14	14	M14	24	72	56	22,5	31,2	45,0	50,7	178
14x56	56						101	85					258
16x32	32	32	16	16	M16	26	83	64	24,0	36,2	70,0	74,7	282
16x64	64						115	96					410
20x40	40	40	20	20	M20	34	105	80	30,0	47,0	132,0	130,0	520

## Materials:

Standard Series: free-cutting steel to 9SMnPb28K, 12L13, tensile strength 550 to 700 N/mm<sup>2</sup>  
Surface: zinc plated and chromated, on request: blanc, oiled or phosphated and oiled

On request: stainless series, stainless steel to 1.4305, Aisi 303  
ES-Bolt not in stainless steel available

## Ordering Details:

Fork Head: e.g. Form G with bore size d<sub>1</sub> = 12mm, split length g = 24mm:  
Fork Head DIN 71752-G12x24

Fork Ball Joint: e.g. Fork Ball Joint with Cotter Bolt, with bore size d<sub>1</sub> = 12mm, split length g = 24mm:  
Fork Ball Joint DIN 71751-A12x24

e.g. Left Hand Thread: DIN 71752-G12x24LH and DIN 71751-A12x24LH