

## Resistance thermometer Angled screw in sensor Series GF-7120/W

### PRODUCT FEATURES

- ✓ Resistance thermometer acc. to DIN EN 60751
- ✓ High precision platinum sensor
- ✓ High precision measuring system
- ✓ Single / double measuring system
- ✓ Vibration resistant design
- ✓ High temperature resistance
- ✓ Durable
- ✓ Process and fail safe
- ✓ Temperature and long-term stable
- ✓ ATEX version
- ✓ FDA / CE compliant version

### TECHNICAL DETAILS

#### Core values

PT50/PT100/PT500/PT1000  
KTY/NTC/PTC

#### Diameter

4,0 mm – 8,00 mm in standard

#### Form of the measuring tip

118° angled, plan, convex

#### Installation length

Min. 10mm up to max. 500mm

#### Material

Sensor / spring / screw 1.4571

#### Process temp. At the measuring tip

Up to +600°C depending on version

#### Process connection

Free running screw connection

#### High – quality cable types

Connection cables  
All available versions

#### Connectivity

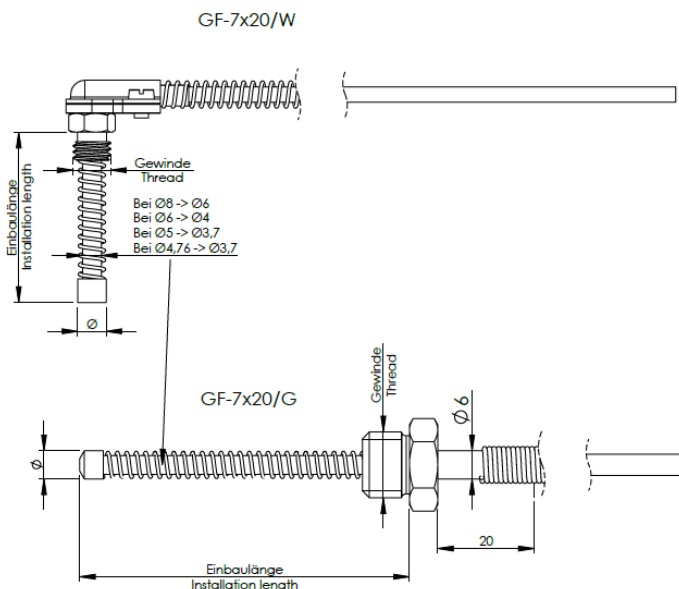
Free ends, plug, special

#### Special version

Customized, on request

<b>Standard version</b>												
ATEX	GF-7120/W											
	EX											
<b>Number of measuring systems</b>												
1x			1									
2x			2									
<b>Core values measuring system</b>												
PT100 / Class B			n/a									
PT100 / Class A			K1.A									
PT100 / Class AA (1/3 DIN B)			K1.AA									
PT50/PT500/PT1000/PTC/NTC/KTY			KTY									
Further versions on request												
<b>Types of electrical circuits</b>												
2-wire-circuit			n/a									
3-wire-circuit			3-L									
4-wire-circuit			4-L									
Further versions on request												
<b>Diameter of the measuring tube</b>												
4,0 mm				4,0								
5,0 mm				5,0								
6,0 mm				6,0								
8,0 mm				8,0								
Mention in mm												
<b>Measuring tube form (check graphic below)</b>												
Angled 118°					W							
Plan					P							
Convex					B							
Special version												
<b>Installation length incl. thread adapter</b>												
50 mm						50						
Mention in mm												
<b>Size of the screw</b>												
M8												
M8x1												
M14x1,5												
G3/8												
Further versions on request												
<b>Cable length in mm</b>												
Mention in mm							XXXX					
<b>Cable type</b>												
Glass fiber - Glass fiber - stainless steel braid								without mention				
Glass fiber - Glass fiber - stainless steel braid - PTFE								GL-GL-PVA-TE				
R - Glass fiber - R - Glass fiber - stainless steel braid								RGL-RGL-PVA				
Check cable types												
<b>Connection</b>												
Free Ends, 60 mm								A				
Check ends								PRF				
LEMO plug + size + number of poles								LST2PS				
Round plug screw lock + size + number of poles								DST3PS				
M 12 Round plug + number of poles								EST-M12-4P				
Check plug types												
<b>Temperature measuring tip</b>												
Mention in °C									400°C			
<b>Order code (example)</b>	→	GF-7120/W	1	K1.A.	3-L.	4,0.	P.	50.	37	3000.	A.	400°C

MEASURES



**DIGITAL DATA**  
2D, 3D and CAD

[to Download](#)