

## Thermocouple Angled with angle head Series GF-7023

### PRODUCT FEATURES

- ✓ Thermocouples  
acc. to DIN EN 60584
- ✓ High precision thermo cable
- ✓ High precision measuring system
- ✓ Single / double measuring system
- ✓ Electrical isolated or not isolated
- ✓ Pure silver interior design
- ✓ Durable
- ✓ Process and failsafe
- ✓ Temperature and long term stable
- ✓ ATEX version
- ✓ FDA / CE compliant version

### TECHNICAL DETAILS

#### Thermo voltage

Fe-CuNi/J-L, NiCr-Ni/K, Pt-RhPt/S-R

#### Diameter

3,0 mm – 8,00 mm in standard

#### Form of the measuring tip

118° angled, plan, convex

#### Installation length

Min. 10mm up to max. 2000mm

#### Material

Sensor completely made of stainless steel

#### Process temp. at the measuring tip

Up to +600°C depending on version

#### Process connection

Using a suitable compression fitting

#### High – quality cable types

Thermocouple cables  
All available versions

#### Connectivity

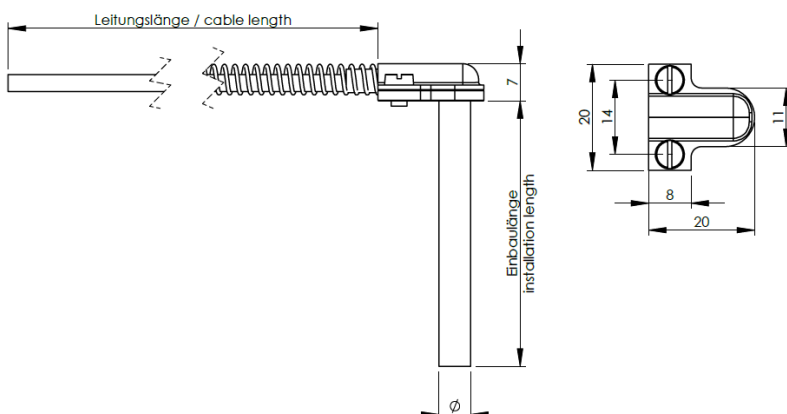
Free ends, plug, special

#### Special version

Customized, on request

<b>Standard version</b>											
	GF-7023										
<b>High temperature version</b>											
Standard version											
ATEX		EX									
<b>Number of measuring systems</b>											
1x			1								
2x			2								
<b>Type of element</b>											
Fe-CuNi Type J			FK-J								
Fe-CuNi Type L			FK-L								
Fe-CuNi Type K			NC								
Check element selection											
<b>Electrical properties</b>											
Grounded				e							
Isolated				i							
<b>Diameter of the measuring tube</b>											
3,0 mm					3,0						
4,0 mm					4,0						
5,0 mm					5,0						
6,0 mm					6,0						
Mention in mm											
<b>Measuring tube form (check graphic below)</b>											
Angled 118°								W			
Plan								P			
Convex								B			
Special version											
<b>Installation length incl. thread adapter</b>											
50 mm								50			
Mention in mm											
<b>Cable length in mm</b>											
Mention in mm								XXXX			
<b>Cable type</b>											
Glass fiber - Glass fiber - stainless steel braid									without mention		
Glass fiber - Glass fiber - stainless steel braid - PTFE									GL-GL-PVA-TE		
R - Glass fiber - R - Glass fiber - stainless steel braid									RGL-RGL-PVA		
Check cable types											
<b>Connection</b>											
Free Ends, 60 mm									A		
Check ends									PRF		
Thermo plug „S“ Standard / „M“ Mini									TSTXS		
Round plug bayonet lock									CST3PB		
Round plug screw lock									CST3PS		
Check plug types											
<b>Temperature measuring tip</b>											
Mention in °C										400°C	
<b>Order code (example)</b>	→	GF-7023	1	FK-J.	e.	3,0.	P.	50.	3000.	A.	400°C

MEASURES



**DIGITAL DATA**  
2D, 3D and CAD

[to Download](#)