

## Thermocouple Magnetic sensor Series GF-7030/MA

### PRODUCT FEATURES

- ✓ Thermocouples  
acc. to DIN EN 60584
- ✓ High precision thermo cable
- ✓ High precision measuring system
- ✓ Single / double measuring system
- ✓ Electrical isolated or not isolated
- ✓ Pure silver interior design
- ✓ Durable
- ✓ Process and failsafe
- ✓ Temperature and long term stable
- ✓ ATEX version
- ✓ FDA / CE compliant version

### TECHNICAL DETAILS

#### Thermo voltage

Fe-CuNi/J-L, NiCr-Ni/K, Pt-RhPt/S-R

#### Segment measures

Standard Ø25 mm, spring pressured  
length 10 mm

#### Cable output

Straight or angled 90°

#### Material

Stainless steel / magnet

#### Kink protection spring

Stainless steel,  
length 70 mm in standard

#### Process temp. at the measuring tip

Up to +250°C depending on version

#### Process connection

Permanent magnet, measuring system  
spring mounted

#### High - quality cable types

Thermocouple cables  
All available versions

#### Connectivity

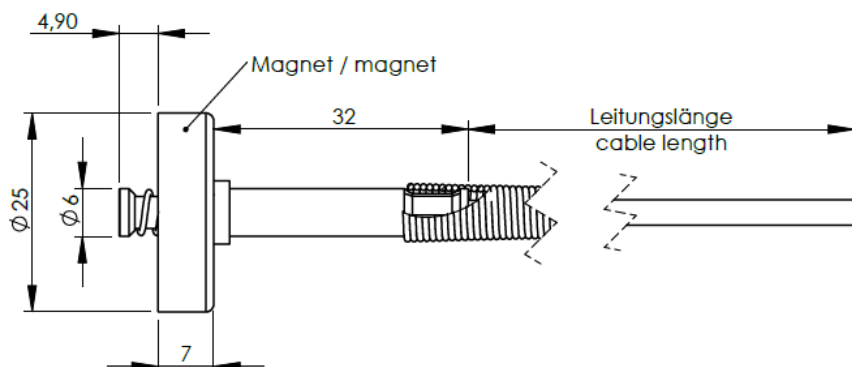
Free ends, plug, special

#### Special version

Customized, on request

<b>Standard version</b>											
	GF-7030										
<b>Sensor version</b>											
Cable outlet STRAIGHT		/MA									
Cable outlet ANGLED 90°		/MA/W									
<b>Number of measuring systems</b>											
1 x			1								
2x			2								
<b>Type of element</b>											
Fe-CuNi Type J			FK-J								
Fe-CuNi Type L			FK-L								
Fe-CuNi Type K			NC								
Check element selection											
<b>Electrical properties</b>											
Grounded				e							
Isolated				i							
<b>Diameter of the measuring tip</b>											
Standard Ø25 mm								o.a.			
Further versions on request											
<b>Cable length in mm</b>											
Mention in mm								XXXX			
<b>Cable type</b>											
Glass fiber - Glass fiber - stainless steel braid									without mention		
Glass fiber - Glass fiber - stainless steel braid - PTFE									GL-GL-PVA-TE		
R - Glass fiber - R - Glass fiber - stainless steel braid									RGL-RGL-PVA		
Check cable types											
<b>Connection</b>											
Free Ends, 60 mm									A		
Check ends									PRF		
Thermo plug „S“ Standard / „M“ Mini									TSTXS		
Round plug bayonet lock									CST3PB		
Round plug screw lock									CST3PS		
Check plug types											
<b>Temperature measuring tip</b>											
Mention in °C									400°C		
<b>Order code (example)</b>	→	GF-7030	/MA	1	FK-J.	e.		3000.		A	400°C

MEASURES



**DIGITAL DATA**  
2D, 3D and CAD

[to Download](#)