

Carbon fibre shaft



Order key

Type	Size	Options
------	------	---------

C W M - 12 - 1000

Carbon fibre shaft	Metric	Outer Ø	Shaft length [mm]
--------------------	--------	---------	-------------------

- Material: CFK Composite
- Roundness tolerance: ± 0.05 mm
- Diameter tolerance: $- 0.1$ mm
- Application temperature: max. $+80$ °C
- Colour: Black

Dimensions [mm]

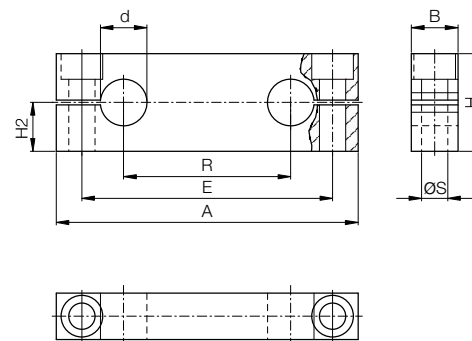
Part No.	Design	Diameter -0.1	Max. length	Weight [g]
CWM-12	Hollow shaft	12/9	2,000 mm	70
CWM-16	Hollow shaft	16/12.5	2,000 mm	120
CWM-20	Hollow shaft	20/16	2,000 mm	170
CWM-30	Hollow shaft	30/26	2,000 mm	270



Order example:

CWM-16, 500 corresponds to a carbon fibre shaft $\varnothing 16$ mm, 500 mm in length

Shaft end support, floating



Order key

Type	Size
------	------

T A - 08

Shaft end support, floating	Inner Ø
--------------------------------	---------

Material: Aluminium
Threaded fixing hole

Dimensions [mm]

Part No.	d	A	B	H	H2 ± 0.015	$\varnothing S$	E	R	Weight [g]
TA-08	8	65	12	22	11	M5	52	32	40
TA-10	10	70	12	21	10.5	M5	55	24	37
TA-12	12	85	14	28	14	M6	70	42	70
TA-16	16	100	18	32	16	M8	82	54	130
TA-20	20	130	20	42	21	M10	108	72	220
TA-25	25	160	25	52	26	M12	132	88	440
TA-30	30	180	25	58	29	M12	150	96	560
TA-40	40	230	30	72	36	M16	190	122	1,000



Order example:

TA-10 for a floating shaft end support with inner $\varnothing 10$ mm