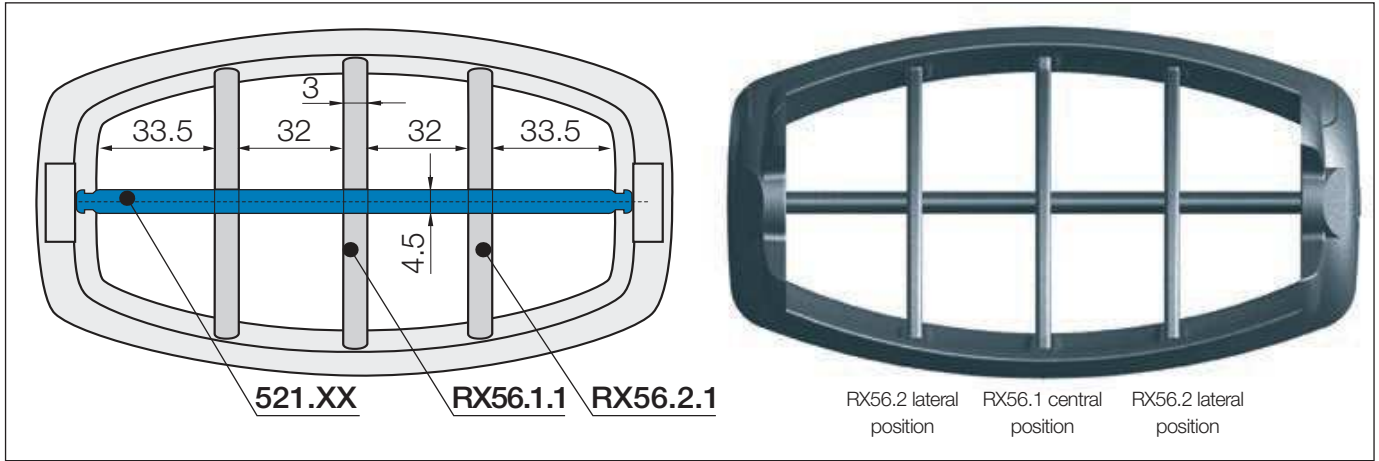


Interior separation



		<p>Slotted separator (central position)</p> <p>unassembled RX56.1</p> <p>assembled RX56.1.1</p>
--	--	--

		<p>Slotted separator (lateral position)</p> <p>unassembled RX56.2</p> <p>assembled RX56.2.1</p>
--	--	--

		<p>Shelf, lockable</p> <p>unassembled 520.X</p> <p>assembled 521.X</p>
--	--	---



Shelves
Width = X [mm]

X [mm]	unassembled	assembled	X [mm]	unassembled	assembled
039	520.39	521.39	109	520.109	521.109
074	520.74	521.74	144	520.144	521.144

Vertical separation - slotted separators:

RX56.1 (central position)

RX56.2 (lateral position)

Vertical separation of the large interior space using cable-friendly, polymer separators. Due to their slots, basic vertical and horizontal shelving arrangements are possible. As standard igus® separators should be fitted every 2nd e-chain® link.

Horizontal separation

Full-width shelf locks securely into separators at both ends, giving a fixed width. Can be used as full-width or partial shelf.