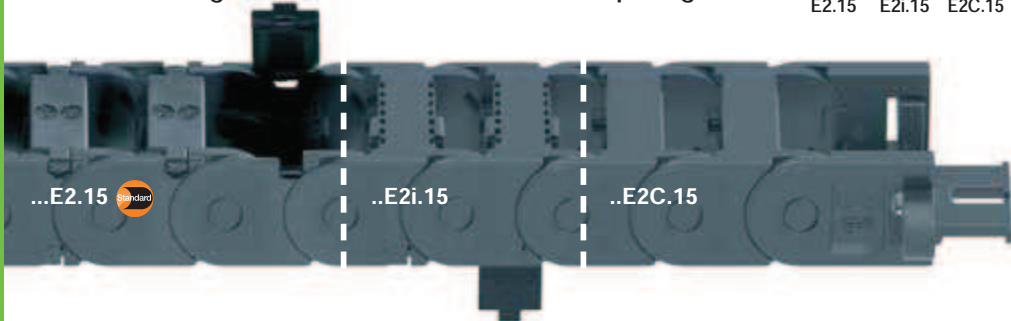


# E2 micro | Series E2.15 | Product range

Next generation, stable, low noise, fast opening



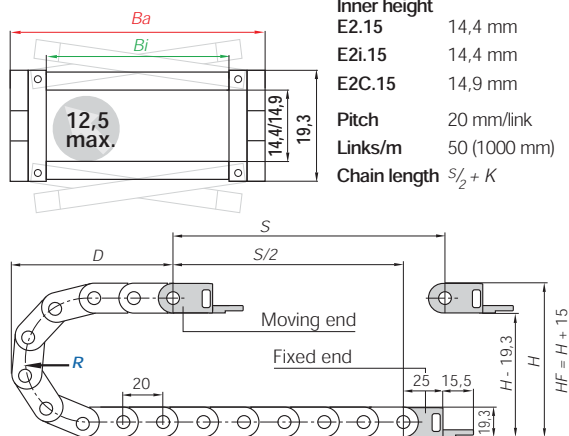
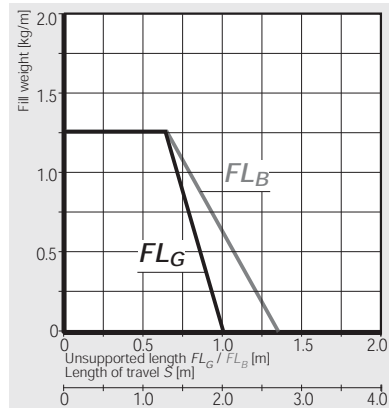
Series E2.15 | Snap-open along outer radius from both sides | Standard  
 Series E2i.15 | Snap-open along inner radius from both sides  
 Series E2C.15 | One-piece, non snap-open e-chain\*

Series	Bi [mm]	Ba [mm]	R [mm]	Bending radii [mm]	E2.15 [kg/m]	E2i.15 [kg/m]	E2C.15 [kg/m]
E2.15.10.R.0	10	17,8	028	038 048	≈ 0,18	≈ 0,18	≈ 0,19
E2.15.13.R.0	13	20,8	028	038 048	≈ 0,19	≈ 0,19	≈ 0,20
E2.15.16.R.0	16	23,8	028	038 048	≈ 0,20	≈ 0,20	≈ 0,20
E2.15.20.R.0	20	27,8	028	038 048	≈ 0,21	≈ 0,21	≈ 0,21
E2.15.30.R.0	30	37,8	028	038 048	≈ 0,24	≈ 0,24	≈ 0,24
E2.15.40.R.0	40	47,8	028	038 048 075 <sup>1)</sup>	≈ 0,26	≈ 0,26	≈ 0,26
E2.15.50.R.0	50	57,8	028	038 048	≈ 0,29	≈ 0,29	≈ 0,29

1) Radius 075 only for Series E2C.15.40 2) ⚠ ESD/ATEX version available from stock

Supplement Part No. with required radius (R). Example: E2.15.20.038.0

## Dimensions



R	028	038	048	075 <sup>1)</sup>
H	75	95	115	169
D	68	78	88	115
K	130	160	195	280

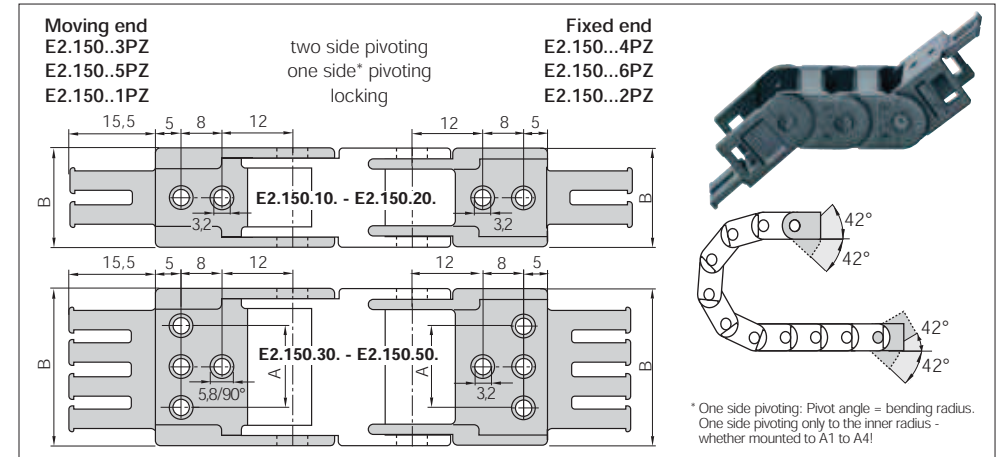
The required clearance height:  $H_f = H + 15$  mm (with 0,3 kg/m fill weight)

1) Radius 075 only for Series E2C.15.40

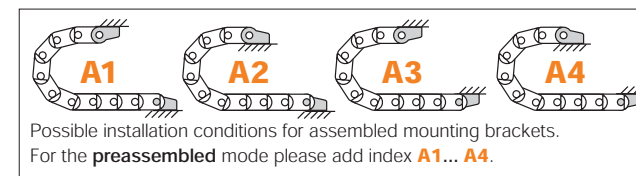
242 3D-CAD files, configurators, PDF ► [www.igus.eu/E2.15](http://www.igus.eu/E2.15)

# E2 micro | Series E2.15 | Accessories

## Mounting brackets, polymer one-piece | one side\* or two side pivoting | locking



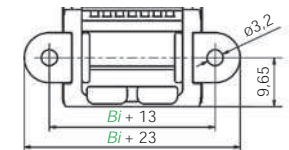
Width Index	Part No. full set with tiewrap plates two side pivoting	Part No. full set with tiewrap plates one side* pivoting	Part No. full set with tiewrap plates locking	Dim. A [mm]	Dim. B [mm]	Number of teeth
10.	E2.150.10.34PZ	E2.150.10.56PZ	E2.150.10.12PZ	-	17,8	1
13.	E2.150.13.34PZ	E2.150.13.56PZ	E2.150.13.12PZ	-	20,8	1
16.	E2.150.16.34PZ	E2.150.16.56PZ	E2.150.16.12PZ	-	23,8	2
20.	E2.150.20.34PZ	E2.150.20.56PZ	E2.150.20.12PZ	-	27,8	2
30.	E2.150.30.34PZ	E2.150.30.56PZ	E2.150.30.12PZ	22	37,8	3
40.	E2.150.40.34PZ	E2.150.40.56PZ	E2.150.40.12PZ	32	47,8	4
50.	E2.150.50.34PZ	E2.150.50.56PZ	E2.150.50.12PZ	42	57,8	5



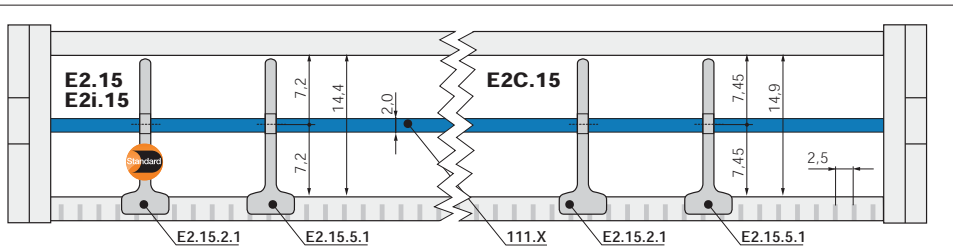
**Part No. structure**  
**E2.150.20.34PZA1** A... must be indicated on preassembled configurations  
 With strain relief tiewrap plates  
**Full set**  
 Mounting bracket for selected width index

## Additional Features

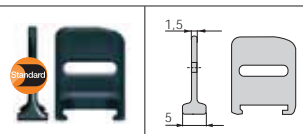
The quick flange can be clipped-in laterally in all mounting brackets.  
 Housing for hexagonal nut or cylinder head screws M3. **Single:**  
 Part No. E2.150.QF / incl. mounting bracket Part No. E2.150.20.34PZQF



**ESD/ATEX permanently conductive e-chains\*** - Several widths with delivery from stock:  
 Inner widths **Bi 16 - 30**, radii **R 028 - 048**. Full ESD product range ► [www.igus.eu/ESD](http://www.igus.eu/ESD)



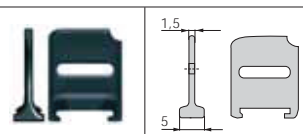
**Note E2C.15:** For one-piece, non snap-open please assemble the interior separation before fitting the e-chain!  
As standard separators are assembled every 2<sup>nd</sup> e-chain\* link.



**Standard separator, for e-chains\***  
unassembled **E2.15.2**  
assembled **E2.15.2.1**

**Standard - for any application**

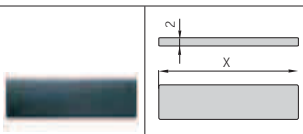
Is used when vertical separation is required. Due to its slot, it allows basic vertical/horizontal shelving arrangements. No snap-in option, freely movable.



**Notch separator for notch crossbar**  
unassembled **E2.15.5**  
assembled **E2.15.5.1**

**Locks safely onto in 2,5 mm increments**

For exact positioning in e-chains\*. Recommended for side-mounted applications. Abrasion-optimised, cable-friendly design of the separator.



**Full-width shelf e-chains\***  
unassembled **110.X**  
assembled **111.X**

**Full-width shelf 110.X**

This option makes sense in applications with many thin cables with similar diameters. For a consequent subdivision.

**Full-width shelves**

Width X (mm)	unassembled	assembled	Width X (mm)	unassembled	assembled	Width X (mm)	unassembled	assembled
010	110.10	111.10	020	110.20	111.20	050	110.50	111.50
013	110.13	111.13	030	110.30	111.30			
016	110.16	111.16	040	110.40	111.40			

**Save assembly time - Interior separation assembly tool for the E2 micro "next generation"**

- Convenient insertion of separators and shelves
  - Significant assembly time reduction
  - Grip and mount can be ordered separately and are easy to change
- More information** ► [www.igus.eu/E2.1open](http://www.igus.eu/E2.1open)

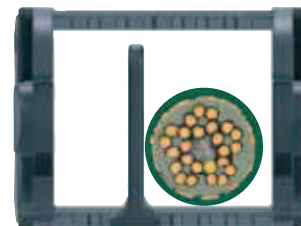


**e-chain\* opener for the E2 micro "next generation"**

An e-chain\* opener is included with every Series E2.10 and E2.15 that can be opened. The opening of the e-chain\* links at high speeds saves significant installation time. Open a long piece of e-chain\* in one go. It's the ideal tool for your own mounting or assembly lines to minimise processing time significantly.  
**More information** ► [www.igus.eu/E2.1open](http://www.igus.eu/E2.1open)



**Up to 75% less wear - Increase the service life of cables even further**



- igus\* separators optimally adapted to cable geometry. They increase the service life of the cables up to factor 4.**
- Abrasion-optimised, cable-friendly design, long service life
  - Mounting-optimised - a simpler and faster assembly
  - Easy-to-use interior separation range for any application
  - Standard separator - no snap-in option, freely movable
  - Notch separator - locks safely onto in 2,5 mm increments
  - Partial horizontal subdivision is possible - Series E2.15