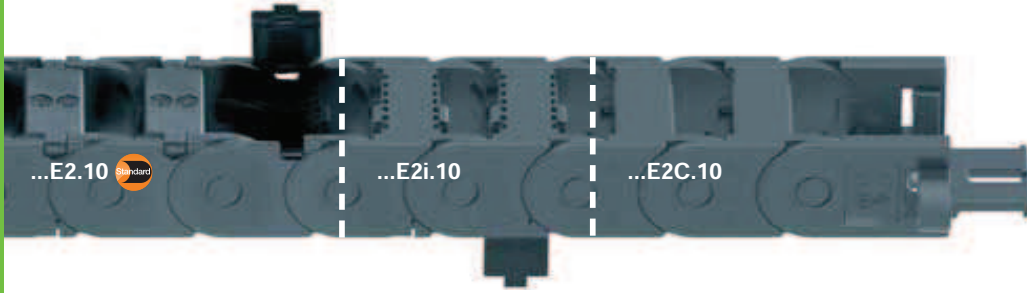


# E2 micro | Series E2.10 | Product range

Next generation, stable, low noise, fast opening



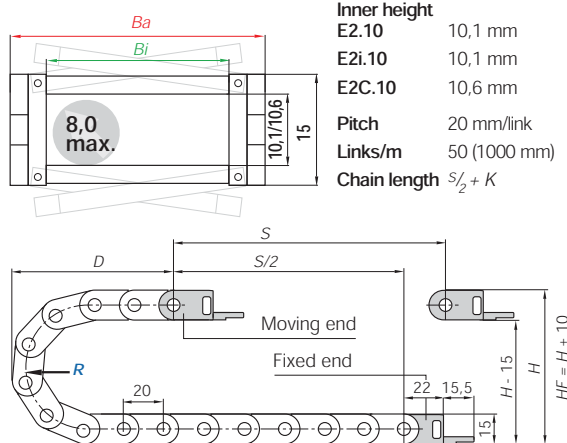
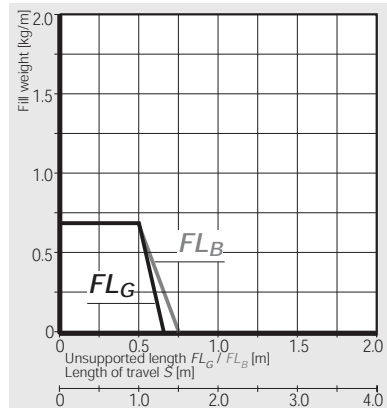
Series E2.10 | Snap-open along outer radius from both sides | Standard  
 Series E2i.10 | Snap-open along inner radius from both sides  
 Series E2C.10 | One-piece, non snap-open e-chain\*

Series	Width Index	Part No.	Bi [mm]	Ba [mm]	R [mm]	Bending radii [mm]	E2.10 [kg/m]	E2i.10 [kg/m]	E2C.10 [kg/m]
E2.10.06.R.0	E2i.10.06.R.0	E2C.10.06.R.0	6	13,4	018	028 038	≈0,13	≈0,13	≈0,14
E2.10.10.R.0	E2i.10.10.R.0	E2C.10.10.R.0	10	17,4	018	028 038	≈0,14	≈0,14	≈0,14
E2.10.16.R.0	E2i.10.16.R.0	E2C.10.16.R.0 <sup>1)</sup>	16	23,4	018	028 038	≈0,16	≈0,16	≈0,16
E2.10.20.R.0	E2i.10.20.R.0	E2C.10.20.R.0 <sup>1)</sup>	20	27,4	018	028 038	≈0,17	≈0,17	≈0,17
E2.10.30.R.0	E2i.10.30.R.0	E2C.10.30.R.0 <sup>1)</sup>	30	37,4	018	028 038	≈0,19	≈0,19	≈0,20
E2.10.40.R.0	E2i.10.40.R.0	E2C.10.40.R.0	40	47,4	018	028 038	≈0,22	≈0,22	≈0,23
E2.10.50.R.0	E2i.10.50.R.0	E2C.10.50.R.0	50	57,4	018	028 038	≈0,25	≈0,25	≈0,25

1) ⚠ ESD/ATEX version available from stock

Supplement Part No. with required radius (R). Example: E2.10.20.038.0

## Dimensions

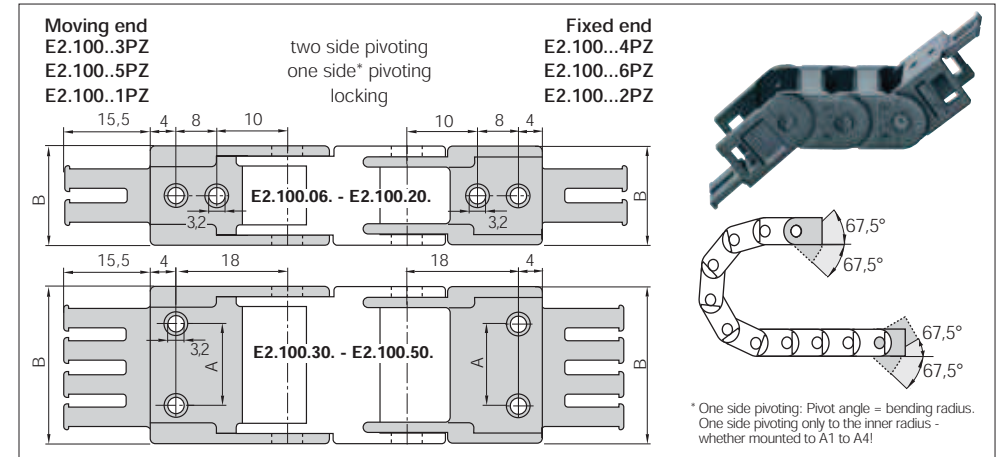


Parameter	R 018	R 028	R 038
H	51	71	91
D	56	66	76
K	100	130	160

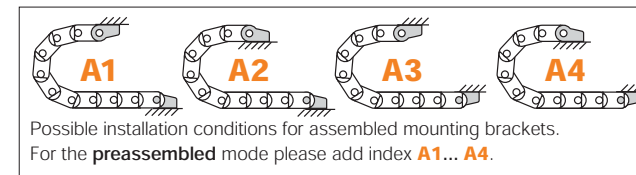
The required clearance height:  $H_f = H + 10$  mm (with 0,2 kg/m fill weight)

# E2 micro | Series E2.10 | Accessories

## Mounting brackets, polymer one-piece | one side\* or two side pivoting | locking



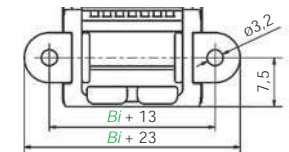
Width Index	Part No. full set with tiewrap plates	Part No. full set with tiewrap plates	Part No. full set with tiewrap plates	Dim. A [mm]	Dim. B [mm]	Number of teeth
	two side pivoting	one side* pivoting	locking			
06. ►	E2.100.06.34PZ	E2.100.06.56PZ	E2.100.06.12PZ	-	13,4	1
10. ►	E2.100.10.34PZ	E2.100.10.56PZ	E2.100.10.12PZ	-	17,4	1
16. ►	E2.100.16.34PZ	E2.100.16.56PZ	E2.100.16.12PZ	-	23,4	2
20. ►	E2.100.20.34PZ	E2.100.20.56PZ	E2.100.20.12PZ	-	27,4	2
30. ►	E2.100.30.34PZ	E2.100.30.56PZ	E2.100.30.12PZ	22	37,4	3
40. ►	E2.100.40.34PZ	E2.100.40.56PZ	E2.100.40.12PZ	32	47,4	4
50. ►	E2.100.50.34PZ	E2.100.50.56PZ	E2.100.50.12PZ	42	57,4	5



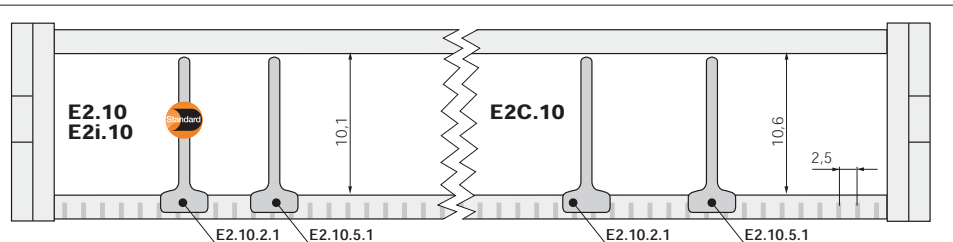
**Part No. structure**  
**E2.100.20.34PZA1** A... must be indicated on preassembled configurations  
 With strain relief tiewrap plates  
**Full set**  
 Mounting bracket for selected width index

## Additional Features

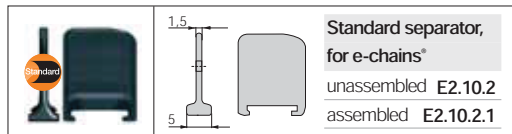
The quick flange can be clipped-in laterally in all mounting brackets.  
 Housing for hexagonal nut or cylinder head screws M3. **Single:**  
 Part No. E2.150.QF / incl. mounting bracket Part No. E2.100.20.34PZQF



**EX** ESD/ATEX permanently conductive e-chains\* - Several widths with delivery from stock:  
 Inner widths **Bi 16 - 30, radii R 018 - 038.** Full ESD product range ► www.igus.eu/ESD



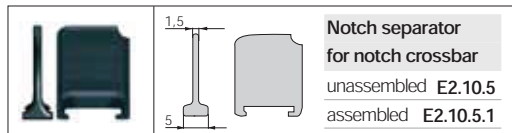
**Note E2C.10:** For one-piece, non snap-open please assemble the interior separation before fitting the e-chain!  
As standard separators are assembled every 2<sup>nd</sup> e-chain\* link.



**Standard separator,  
for e-chains\***  
unassembled **E2.10.2**  
assembled **E2.10.2.1**

**Standard - for any application**

For a simple vertical subdivision on e-chains\*. Separators can be arranged anywhere in the e-chain\* cross section. No snap-in option, freely movable.



**Notch separator  
for notch crossbar**  
unassembled **E2.10.5**  
assembled **E2.10.5.1**

**Locks safely onto in 2,5 mm increments**

For exact positioning in e-chains\*. Recommended for side-mounted applications. Abrasion-optimised, cable-friendly design of the separator.

**Save assembly time - Interior separation  
assembly tool for the E2 micro "next generation"**

- Convenient insertion of separators and shelves
  - Significant assembly time reduction
  - Grip and mount can be ordered separately and are easy to change
- More information** ► [www.igus.eu/E2.1open](http://www.igus.eu/E2.1open)



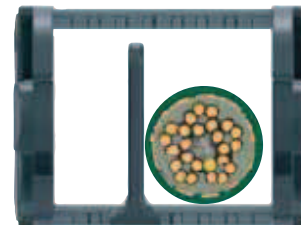
**e-chain\* opener for the E2 micro "next generation"**

An e-chain\* opener is included with every Series E2.10 and E2.15 that can be opened. The opening of the e-chain\* links at high speeds saves significant installation time. Open a long piece of e-chain\* in one go. It's the ideal tool for your own mounting or assembly lines to minimise processing time significantly.

**More information** ► [www.igus.eu/E2.1open](http://www.igus.eu/E2.1open)



**Up to 75% less wear - Increase the service life of cables even further**



igus\* separators optimally adapted to cable geometry.  
They increase the service life of the cables up to factor 4.

- Abrasion-optimised, cable-friendly design, long service life
- Mounting-optimised - a simpler and faster assembly
- Easy-to-use interior separation range for any application
- Standard separator - no snap-in option, freely movable
- Notch separator - locks safely onto in 2,5 mm increments
- Partial horizontal subdivision is possible - Series E2.15