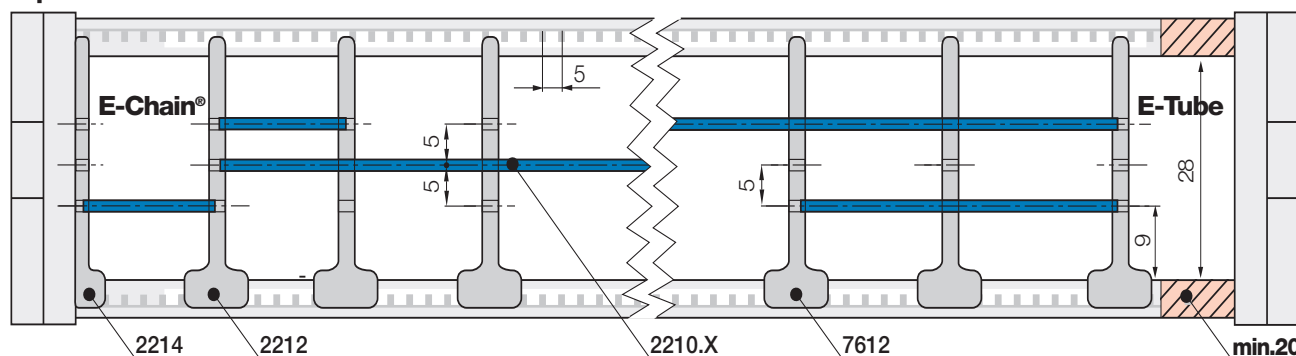


Option 2 | Shelves



Note E-Tube: Please observe a lateral spacing of 20 mm to the sidelinks!
In the standard configuration separators are assembled every 2nd E-Chain® link !

Middle plate for E-Chains®
unassembled **2202**
assembled **2212**

Middle plate 2202 (E-Chains® only)

To achieve a modular shelving by shelf 2220.X arranged at 3 different heights (in 5 mm increments).

Middle plate for E-Tubes
unassembled **7602**
assembled **7612**

Middle plate 7602 (E-Tubes only)

For E-Tubes R4.28.
A side plate is not available for the E-Tube.

Side plate for E-Chains®
unassembled **2204**
assembled **2214**

Side plate 2204 (E-Chains® only)

Works like middle plate.
Allows modular shelving close to the side links.

Shelf (18-149 mm)
unassembled **2220.X**
assembled **2210.X**

Shelf 2220.X

For horizontal separation. Shelves of various widths can be arranged at 3 different heights (in 5 mm increments).

Shelves

Width X [mm]	unassembled	assembled	Width X [mm]	unassembled	assembled	Width X [mm]	unassembled	assembled
018	2200.18	2210.18	043	2200.43	2210.43	088	2200.88	2210.088
023	2200.23	2210.23	048	2200.48	2210.48	099	2200.99	2210.099
028	2200.28	2210.28	058	2200.58	2210.58	124	2200.124	2210.124
033	2200.33	2210.33	068	2200.68	2210.68	149	2200.149	2210.149
038	2200.38	2210.38	073	2200.73	2210.73			

