



e-chains® | E4.48L | Crossbars every link (openable along inner and outer radius, from both sides)
e-tubes | R4.48L | Fully enclosed (lids openable along inner and outer radius, either both sides)

Part No.	Part No.	<i>Bi</i>	<i>Ba</i>	E4.48L	R4.48L
e-chains®	e-tubes	[mm]	[mm]	[kg/m]	[kg/m]
E4.48L.050.R.0	R4.48L.050.R.0	050	070	≈ 1.53	≈ 1.64
E4.48L.062.R.0	R4.48L.062.R.0	062	082	≈ 1.58	-
E4.48L.075.R.0	R4.48L.075.R.0	075	095	≈ 1.64	≈ 1.82
E4.48L.087.R.0	R4.48L.087.R.0**	087	107	≈ 1.67	≈ 1.91
E4.48L.100.R.0	R4.48L.100.R.0	100	120	≈ 1.73	≈ 2.01
E4.48L.105.R.0	-	105	125	≈ 1.74	-
E4.48L.112.R.0	-	112	132	≈ 1.79	-
E4.48L.125.R.0	R4.48L.125.R.0	125	145	≈ 1.84	≈ 2.18
E4.48L.137.R.0	-	137	157	≈ 1.88	-
E4.48L.150.R.0	R4.48L.150.R.0	150	170	≈ 1.97	≈ 2.36
E4.48L.162.R.0	-	162	182	≈ 2.00	-
E4.48L.175.R.0	R4.48L.175.R.0	175	195	≈ 2.04	≈ 2.58
E4.48L.187.R.0**	-	187	207	≈ 2.09	-
E4.48L.200.R.0	R4.48L.200.R.0	200	220	≈ 2.14	≈ 2.70
E4.48L.212.R.0**	-	212	232	≈ 2.18	-

Part No.	Part No.	<i>Bi</i>	<i>Ba</i>	E4.48L	R4.48L
e-chains®	e-tubes	[mm]	[mm]	[kg/m]	[kg/m]
R4.48L.225.R.0	-	225	245	≈ 2.24	-
R4.48L.237.R.0	-	237	257	≈ 2.30	-
E4.48L.250.R.0	R4.48L.250.R.0**	250	270	≈ 2.35	≈ 3.08
E4.48L.262.R.0**	-	262	282	≈ 2.39	-
E4.48L.275.R.0**	-	275	295	≈ 2.45	-
E4.48L.287.R.0**	-	287	307	≈ 2.51	-
E4.48L.300.R.0**	R4.48L.300.R.0**	300	320	≈ 2.56	≈ 3.42
E4.48L.312.R.0**	-	312	332	≈ 2.60	-
E4.48L.325.R.0**	-	325	345	≈ 2.66	-
E4.48L.337.R.0**	-	337	357	≈ 2.72	-
E4.48L.350.R.0**	-	350	370	≈ 2.74	-
E4.48L.362.R.0**	-	362	382	≈ 2.77	-
E4.48L.375.R.0**	-	375	395	≈ 2.81	-
E4.48L.387.R.0**	-	387	407	≈ 2.90	-
E4.48L.400.R.0**	-	400	420	≈ 2.96	-

**Width available upon request. Please consult igus® for delivery time.

1) Radius not available for e-tubes

Available bend radii

R [mm] | 075¹⁾ | 100¹⁾ | 125 | 150 | 175 | 200 | 250 | 300 | 350 |

Complete Part No. with required radius (*R*). Example:

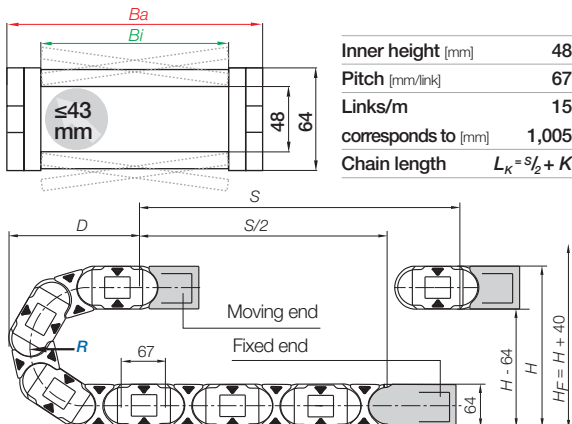
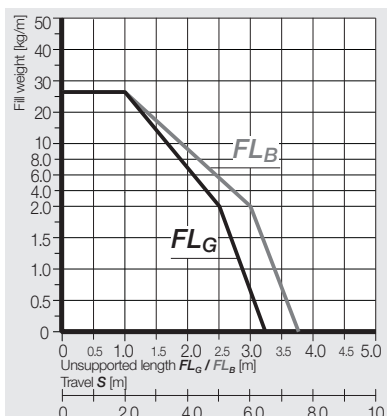
E4.48L.175.150.0 = crossbars every link / R4.48L.175.150.0 = fully enclosed

Steel support tray for support of the lower run

- Simple one-piece support trays for the lower run
- To meet your requirements and specification
- 4 variants available

More information ► From page 1062





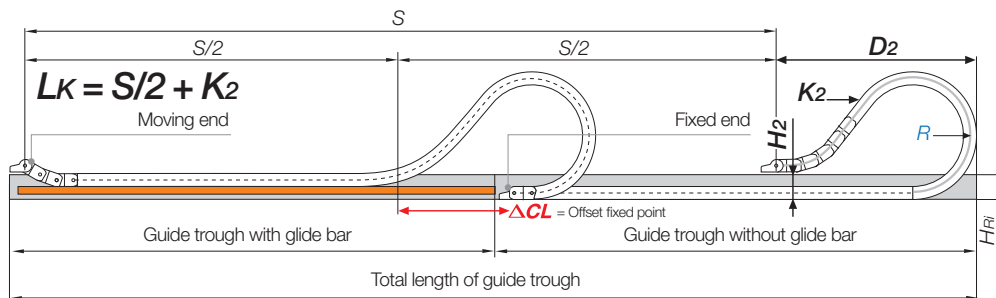
Inner height [mm]	48
Pitch [mm/link]	67
Links/m	15
corresponds to [mm]	1,005
Chain length	$L_K = S/2 + K$

R	075 ¹⁾	100 ¹⁾	125	150	175	200	250	300	350
H	214	264	314	364	414	464	564	664	764
D	208	233	258	283	308	333	383	433	483
K	370	450	530	610	685	765	920	1,080	1,235

The required clearance height: $H_F = H + 40$ mm (with 2.5 kg/m fill weight)

1) Radius not available for e-tubes

Gliding applications | For long travels from 10 m to max. 100 m



Note: We recommend the project planning of such a system to be carried out by igus®.

In case of travels between 5 and 10 m we recommend an e-chain® with a longer unsupported length.

R	075 ¹⁾	100 ¹⁾	125	150	175	200	250	300 ²⁾	350 ²⁾
H ₂	*	*	106	106	106	106	106	-	-
D ₂	*	*	475	570	670	780	1,030	-	-
K ₂	*	*	804	938	1,139	1,340	1,675	-	-
ΔACL	*	*	230	300	380	460	660	-	-

1) Radius not available for e-tubes 2) Radius not suitable for long travel applications. Please consult igus®. *Values such as unsupported applications