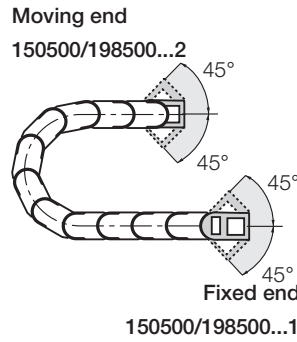
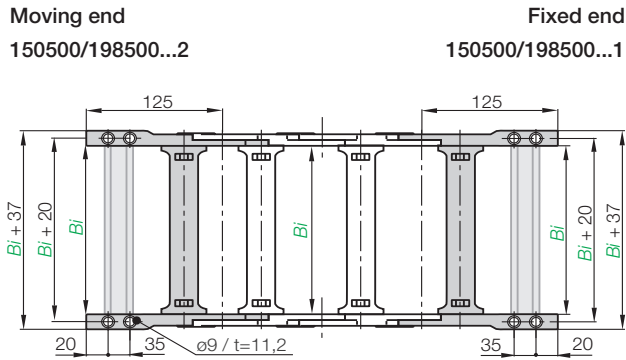
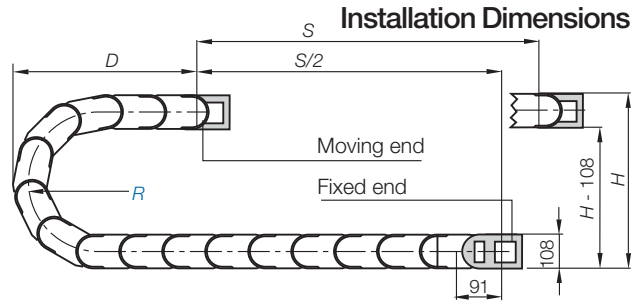


Pitch = 91 mm Links per m = 11 Chain length = $S/2 + K$

R	150	200	250	300	350	400	500	600
H_{+25}^0	410	510	610	710	810	910	1110	1310
D	300	350	400	450	500	550	650	750
K	750	900	1050	1225	1375	1450	1755	2070

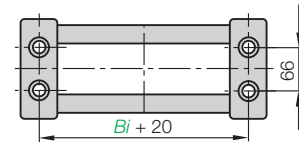
The required clearance height is $H_F = H + 60$ mm (with 3,0 kg/m fill weight). Please consult igus® if space is particularly restricted.



Mounting Brackets

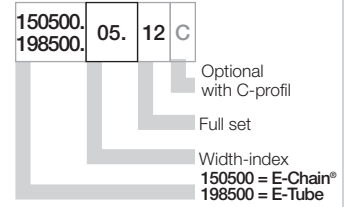


KMA pivoting - mounting with M8 socket head cup bolt (KMA = Polymer Metal Mounting Bracket)



For E-Chain® Part No. full set			Bi	For E-Chain® Part No. full set			Bi
width-index	optional with C-profile		[mm]	width-index	optional with C-profile		[mm]
.05.	▶ 150500.05	.12 C	050	.31.	▶ 150500.31	.12 C	312
.06.	▶ 150500.06	.12 C	065	.32.	▶ 150500.32	.12 C	325
.07.	▶ 150500/198500.07.12 C		075	.33.	▶ 150500.33	.12 C	337
.08.	▶ 150500.08	.12 C	087	.35.	▶ 150500/198500.35.12 C		350
.10.	▶ 150500/198500.10.12 C		100	.36.	▶ 150500.36	.12 C	362
.11.	▶ 150500.11	.12 C	112	.37.	▶ 150500.37	.12 C	375
.12.	▶ 150500/198500.12.12 C		125	.38.	▶ 150500.38	.12 C	387
.13.	▶ 150500.13	.12 C	137	.40.	▶ 150500/198500.40.12 C		400
.15.	▶ 150500/198500.15.12 C		150	.41.	▶ 150500.41	.12 C	412
.16.	▶ 150500.16	.12 C	162	.42.	▶ 150500.42	.12 C	425
.17.	▶ 150500/198500.17.12 C		175	.43.	▶ 150500.43	.12 C	437
.18.	▶ 150500.18	.12 C	187	.45.	▶ 150500.45	.12 C	450
.20.	▶ 150500/198500.20.12 C		200	.46.	▶ 150500/198500.46.12 C		462
.21.	▶ 150500.21	.12 C	212	.47.	▶ 150500.47	.12 C	475
.22.	▶ 150500.22	.12 C	225	.48.	▶ 150500.48	.12 C	487
.23.	▶ 150500.23	.12 C	237	.50.	▶ 150500.50	.12 C	500
.25.	▶ 150500/198500.25.12 C		250	.51.	▶ 150500.51	.12 C	512
.26.	▶ 150500.26	.12 C	262	.52.	▶ 150500.52	.12 C	525
.27.	▶ 150500/198500.27.12 C		275	.53.	▶ 150500.53	.12 C	537
.28.	▶ 150500.28	.12 C	287	.55.	▶ 150500.55	.12 C	550
.30.	▶ 150500/198500.30.12 C		300	.60.	▶ 150500.60	.12 C	600

Part No. structure



Full set, for both ends:

151500. 05. 12

Single-part order:

151500. 05. 2

Mounting bracket moving end

151500. 05. 1

Mounting bracket fixed end



Interior Separation
▶ next page



Extender cross-bars available



Mounting bracket, KMA polymer locking



Mounting bracket, steel

Additional Features

For more features
▶ see link below

80

System E4/light
Inner height: 80 mm

Phone +49- (0) 22 03-96 49-800
Fax +49- (0) 22 03-96 49-222

