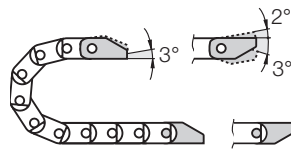




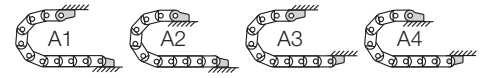
Polymer, one-piece

- One-piece mounting bracket
- Corrosion-resistant
- Available preassembled
- Inner and outer attachment possible
- Available with or without integrated strain relief tiwrap plates

Moving end with bore
(outer link) 080...1(PZ)



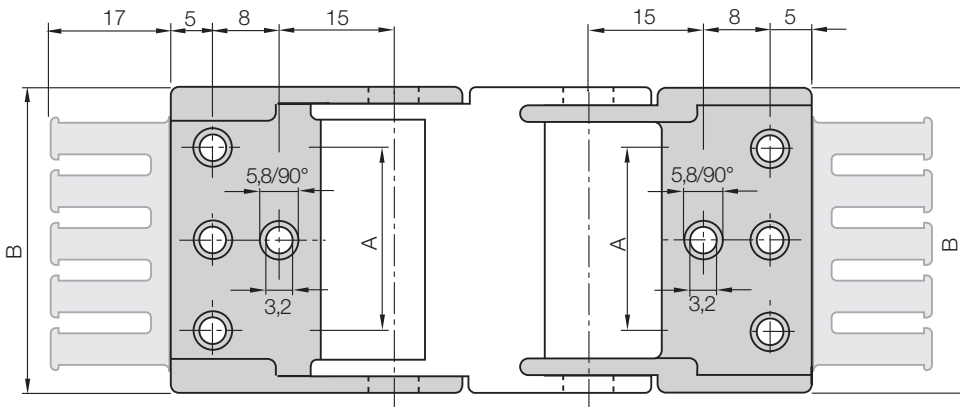
080...2(PZ) Fixed end
with pin (inner link)



Possible installation conditions for assembled mounting brackets ► Order example "preassembled" below

080...1(PZ)

Moving end



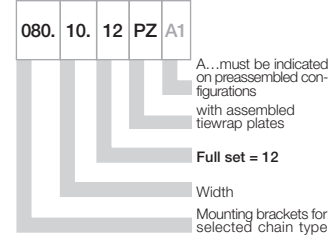
080...2(PZ)

Fixed end

Dimensions and order configurations

Strain relief is possible on the moving end and/or the fixed end.

Part No. structure



Full set, for both ends:

080. 10. 12 PZ +tiwrap plate

Single-part order:

080. 10. 1 PZ +tiwrap plate

Mounting bracket **with bore**

080. 10. 2 PZ +tiwrap plate

Mounting bracket **with pin**

080.10.12 - 080.20.12: center bores only

080.30.12 - 080.50.12: bores (see figure above)

For E-chain®	Part No. full set with tiwrap plate	Part No. full set without tiwrap plate	Number of teeth	Dim. A [mm]	Dim. B [mm]
R09.10. ►	080.10. 12 PZ	080.10. 12	1	-	18,2
R09.16. ►	080.16. 12 PZ	080.16. 12	2	-	24,2
R09.20. ►	080.20. 12 PZ	080.20. 12	2	-	28,2
R09.30. ►	080.30. 12 PZ	080.30. 12	3	22	38,2
R09.40. ►	080.40. 12 PZ	080.40. 12	4	32	48,2
R09.50. ►	080.50. 12 PZ	080.50. 12	5	42	58,2

For the **preassembled** mode please add the index **A1** ... **A4** Example: 080.16. 12 **A1**



Quicksnap - the complete, detachable mounting unit, available upon request



Quickfix - mounting bracket with dowel, available upon request

Additional Features

