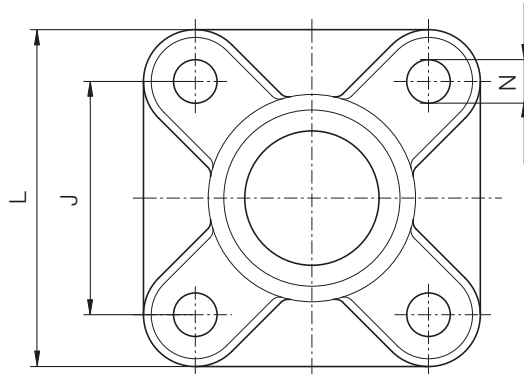
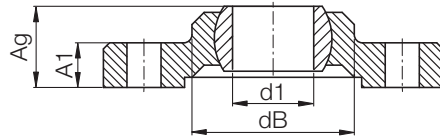


igubal® EFSM HT | Flange Bearing | mm



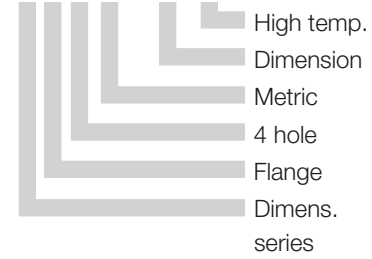
With 4 mounting holes



Data in mm

Structure – part no.

EFSM - 06 HT



Material

Housing: iguton
 ► Page 70.6
 Spherical Bearing: iglidur® X
 ► Chapter 6

Flange Bearings

EFSM HT

mm

Phone +49 - 22 03 - 96 49-145
 Fax +49 - 22 03 - 96 49-334

Dimensions [mm]

igubal® – Flange Bearing EFSM HT with 4 Mounting Holes

Part Number	d1 E10	dB	L Width	J Hole Pitch ±0,1	A1 Height of Plate	Ag Height Total	N Bore Diameter
EFSM-06 HT	6	14,0	25,0	17,0	4,5	8,5	3,2
EFSM-08 HT	8	18,0	33,0	22,0	5,5	10,5	4,3
EFSM-10 HT	10	22,0	38,0	26,0	6,5	12,0	5,3
EFSM-12 HT	12	25,0	40,0	28,0	7,0	13,0	5,3

Available from stock

