



EA..M

mm

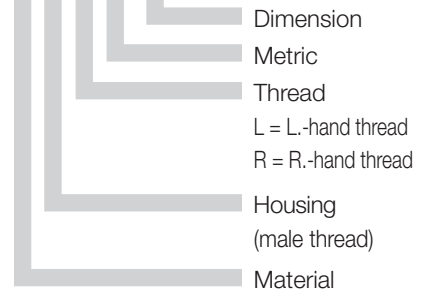
Rod End Bearings



Data in mm

Structure – part no.

E A ... M-05



Phone +49 - 22 03 - 96 49-145
 Fax +49 - 22 03 - 96 49-334

igus® GmbH
 51147 Cologne

Internet www.igus.de
 E-mail info@igus.de

51.14

igubal® – Rod End Bearings:

- Maintenance-free dry running
- High strength under impact loads
- Very high tensile strength for varying loads
- Compensation for alignment errors
- Compensation for edge loads
- Resistant to dirt, dust and lint
- Resistant to corrosion and chemicals
- High vibration dampening capacity
- Suitable for rotating, oscillating and linear movements
- Lightweight
- Dimensional series E to standard DIN ISO 12240



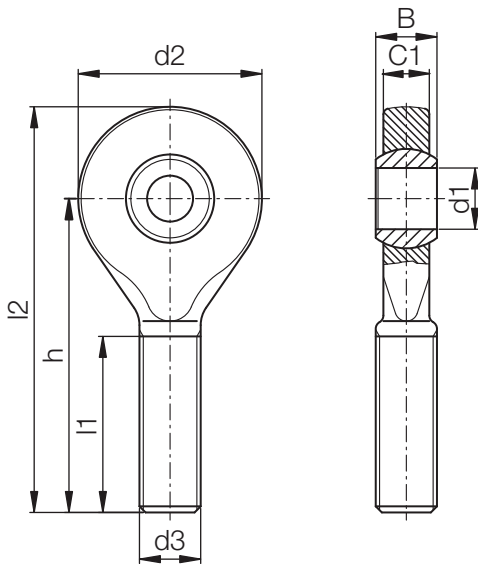
Material

Housing: igumid G
 ► Page 70.6
 Spherical Bearing: iglidur® W300
 ► Chapter 5
 Other materials available upon request

Load Data

igubal® – Rod End Bearings EARM / EALM

Part Number		Max. static tensile strength		Max. radial load		Min. thread depth [mm]	Max. torque strength outside Thread [Nm]	Max. torque through Ball [Nm]
R.-hand thread	L.-hand thread	Short term [N]	Long term [N]	Short term [N]	Long term [N]			
EARM-05	EALM-05	550	275	50	25	14	0,4	2,0
EARM-06	EALM-06	850	425	80	40	14	0,5	2,5
EARM-08	EALM-08	1600	800	160	80	17	2,0	7,0
EARM-10	EALM-10	2600	1300	250	125	19	5,0	14,0
EARM-10 F	EALM-10 F	2600	1300	250	125	19	3,0	14,0
EARM-12	EALM-12	3100	1550	300	150	20	6,0	25,0
EARM-12 F	EALM-12 F	3100	1550	300	150	20	6,0	25,0
EARM-15	EALM-15	3400	1700	600	300	24	12,5	30,0
EARM-17	EALM-17	3600	1800	900	450	26	17,5	35,0
EARM-17 F	EALM-17 F	3600	1800	900	450	26	21,0	35,0
EARM-20	EALM-20	6800	3400	1700	850	30	25,0	40,0
EARM-20 M20	EALM-20 M20	6800	3400	1700	850	30	25,0	40,0
EARM-25	EALM-25	7000	3500	1000	500	37	45,0	55,0
EARM-30	EALM-30	7000	3500	2000	1000	46	85,0	70,0



Rod End Bearings
EA..M
mm

Phone +49 - 22 03 - 96 49-145
Fax +49 - 22 03 - 96 49-334

Dimensions [mm]

igubal® – Rod End Bearings EARM / EALM

Part Number		d1 E10	d2	d3	C1	B	h	l1	l2	Max. pivot angle
R. hand-thread	L. hand-thread									
EARM-05	EALM-05	5	19	M05	4,4	6	36	20	45,5	33°
EARM-06	EALM-06	6	21	M06	4,4	6	36	20	46,5	27°
EARM-08	EALM-08	8	24	M08	6,0	8	41	24	53,0	24°
EARM-10	EALM-10	10	29	M10	7,0	9	47,5	27	62,0	24°
EARM-10 F	EALM-10 F	10	29	M10 x 1,25	7,0	9	47,5	27	62,0	24°
EARM-12	EALM-12	12	34	M12	8,0	10	54	29	71,0	21°
EARM-12 F	EALM-12 F	12	34	M12 x 1,25	8,0	10	54	29	71,0	21°
EARM-15	EALM-15	15	40	M14	10,0	12	63	34	83,0	21°
EARM-17	EALM-17	17	46	M16	11,0	14	69	37	92,0	18°
EARM-17 F	EALM-17 F	17	46	M16 x 1,5	11,0	14	69	37	92,0	18°
EARM-20	EALM-20	20	53	M20 x 1,5	13,0	16	80	43	106,5	16°
EARM-20 M20	EALM-20 M20	20	53	M20 x 2,5	13,0	16	80	43	106,5	16°
EARM-25	EALM-25	25	64	M24 x 2,0	17,0	20	97	53	129,0	16°
EARM-30	EALM-30	30	73	M30 x 2,0	19,0	22	113	65	149,5	13°

Available from stock

Spherical bearing material to choose ▶ Page 57.3



J4VEM:
clearance-free



JEM: Low
moisture absorption



REM:
Low Cost

Lifetime calculation, CAD files and much more support ▶ www.igus.de/en/earm

