

Rod ends with female thread: EBRI and EBLI

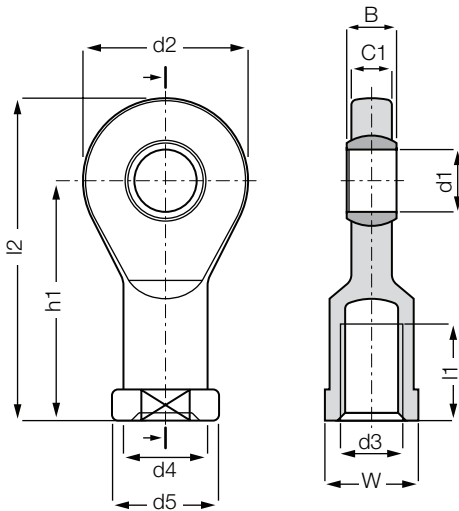


- Maintenance-free, self-lubricating
- High strength under impact loads
- Very high tensile strength for varying loads
- Compensation of misalignment
- Compensation of edge loads
- Insensitive to dirt, dust and lint
- Corrosion- and chemical-resistant
- High vibration-dampening capacity
- Suitable for rotating, oscillating and linear movements
- Light weight

Technical Data

Part number		Max. static tensile strength		Max. radial load		Min. thread depth	Max. torque strength	Max. torque through ball	Weight
Right-hand thread	Left-hand thread	Short term [N]	Long term [N]	Short term [N]	Long term [N]	Thread [Inch]	Inner threading [Nm]	[Nm]	[g]
EBRI-03	EBLI-03	1,300	650	150	75	.315	2	2.0	3,1
EBRI-04	EBLI-04	1,500	750	200	100	.315	5	2.5	3,8
EBRI-05	EBLI-05	2,000	1,000	450	225	.433	6	7.0	6.9
EBRI-06	EBLI-06	2,300	1,150	500	250	.512	7	14.0	11.5
EBRI-07	EBLI-07	3,300	1,650	550	275	.551	18	25.0	17.6
EBRI-08	EBLI-08	3,300	1,650	550	275	.551	23	25.0	18.1
EBRI-10	EBLI-10	5,000	2,500	850	425	.709	30	32.0	31.9
EBRI-12	EBLI-12	7,200	3,600	1,800	900	.866	40	40.0	61.5

Rod ends with female thread: EBRI and EBLI



Order key

EB...I-03



Dimension

Inches

Thread

L = left-hand thread

R = right-hand thread

Housing (female thread)

Dimensional series E



Material:

Housing: **igumid G** ► page 1127

Spherical ball: **iglidur® W300** ► page 727

Dimensions [Inch]

Part number		d1	d2	d3	d4	d5	C1	B
Right-hand thread	Left-hand thread	E10						
EBRI-03	EBLI-03	0.1900	0.748	10-32	0.3543	0.4331	0.1732	0.1900
EBRI-04	EBLI-04	0.2500	0.827	1/4-28	0.4331	0.5118	0.1732	0.2500
EBRI-05	EBLI-05	0.3125	0.945	5/16-24	0.5118	0.6299	0.2362	0.3125
EBRI-06	EBLI-06	0.3750	1.142	3/8-24	0.5906	0.7480	0.2756	0.3750
EBRI-07	EBLI-07	0.4375	1.339	7/16-20	0.7087	0.8661	0.3150	0.4063
EBRI-08	EBLI-08	0.5000	1.339	1/2-20	0.7087	0.8661	0.3150	0.4063
EBRI-10*	EBLI-10*	0.6250	1.693	5/8-18	-	-	0.4134	0.5000
EBRI-12	EBLI-12	0.7500	2.087	3/4-16	1.0630	1.3386	0.5118	0.6250

Part number		h1	l1	l2	W	Max. pivot angle
Right-hand thread	Left-hand thread	E10				
EBRI-03	EBLI-03	1.1811	0.4724	1.5551	0.35	30°
EBRI-04	EBLI-04	1.1811	0.4724	1.5945	0.43	25°
EBRI-05	EBLI-05	1.4173	0.6299	1.8898	0.55	22°
EBRI-06	EBLI-06	1.6929	0.7087	2.2638	0.67	22°
EBRI-07	EBLI-07	1.9685	0.7874	2.6378	0.75	18°
EBRI-08	EBLI-08	1.9685	0.7874	2.6378	0.75	18°
EBRI-10*	EBLI-10*	2.5394	1.0433	3.3858	0.87	16°
EBRI-12	EBLI-12	3.0315	1.2205	4.0748	1.18	14°

* EBRI-10/EBLI-10 special form with hexagonal foot



delivery from stock
time



prices price list online
www.igus.eu/eu/ebri