

Rod ends with female thread: KCRM and KCLM



- Smooth design has no dirt traps
- Spherical ball is clipped in
- Choice of iglidur® ball materials
- Compensation of misalignment
- Light weight
- Excellent corrosion resistance
- Design with metal sleeve for higher torque strength available
- Dimensional series K according to standard DIN ISO 12240

Technical data

Part No.		Max. static tensile strength		Max. static radial load		Max. torque strength	Max. torque through balls		Weight [g]
Right-hand thread	Left-hand thread	Short term	Long term	Short term	Long term	Inner threading [Nm]	without MH	with MH	
		[N]	[N]	[N]	[N]		[Nm]	[Nm]	
KCRM-05	KCLM-05	1,200	600	180	90	1.00	5	12	4.0
KCRM-06	KCLM-06	1,400	700	300	150	0.75	10	15	4.2
KCRM-08	KCLM-08	2,100	1,050	500	250	2.00	12	40	7.6
KCRM-10	KCLM-10	3,100	1,500	800	400	3.00	20	50	12.8
KCRM-10-F	KCLM-10-F	3,100	1,500	800	400	3.00	20	50	12.8
KCRM-12	KCLM-12	3,560	1,780	750	375	15.0	30	70	19.0
KCRM-12-F	KCLM-12-F	3,560	1,780	750	375	15.0	30	70	19.0
KCRM-16	KCLM-16	3,800	1,900	800	400	15.0	40	110	34.0
KCRM-16-F	KCLM-16-F	3,800	1,900	800	400	15.0	40	110	34.0
KCRM-20	KCLM-20	4,550	2,275	400	200	20.0	55	200	55.0
KCRM-20-M20	KCLM-20-M20	4,550	2,275	400	200	20.0	55	200	55.0

Spherical ball materials to choose ► Page 693



RKM: low-cost



JKM: low moisture absorption

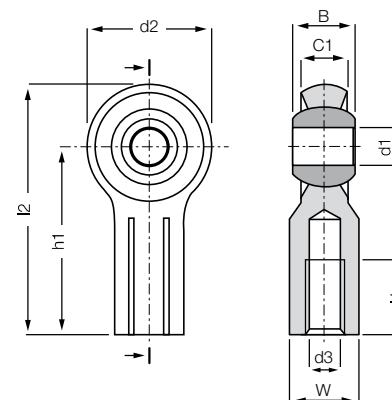


W300: standard spherical bearing with metal sleeve



J4KM: low-cost and low moisture absorption

Rod ends with female thread: KCRM and KCLM



Order key

Type	Size	Options
K C ... M - 06		
Dimensional series K	Hexagonal housing	Thread
		Metric
	Inner-Ø [mm]	
		Thread
		L = left-hand thread
		R = right-hand thread

Material:
 Housing: igumid G ► Page 1235
 Spherical ball: iglidur® W300 ► Page 121
 More spherical ball materials on request
 ► Page 693

Dimensions [mm]

Part No.		d1	d2	d3	W	B		C1	h1	l1	l2	Max. pivot angle
Right-hand thread	Left-hand thread					without MH	with MH					
							+0.2					
KCRM-05	KCLM-05	05	18	M5	SW9	8.0	8.2	6.0	27	12	36	43°
KCRM-06	KCLM-06	06	20	M06	SW10	9.0	9.2	7.0	30	13.5	40	40°
KCRM-08	KCLM-08	08	24	M08	SW13	12.0	12.2	9.0	36	17	48	35°
KCRM-10	KCLM-10	10	30	M10	SW15	14.0	14.2	10.5	43	22	58	35°
KCRM-10-F	KCLM-10-F	10	30	M10x1.25	SW15	14.0	14.2	10.5	43	22	58	35°
KCRM-12	KCLM-12	12	34	M12	SW17	16.0	16.2	12.0	50	25	67	35°
KCRM-12-F	KCLM-12-F	12	34	M12x1.25	SW17	16.0	16.2	12.0	50	25	67	35°
KCRM-16	KCLM-16	16	42	M16	SW20	21.0	21.2	15.0	64	30	85	35°
KCRM-16-F	KCLM-16-F	16	42	M16x1.5	SW20	21.0	21.2	15.0	64	30	85	35°
KCRM-20	KCLM-20	20	50	M20x1.5	SW24	25.0	25.2	18.0	77	35	102	35°
KCRM-20-M20	KCLM-20-M20	20	50	M20x2.5	SW24	25.0	25.2	18.0	77	35	102	35°

Rod ends can be ordered in metric dimensions **with metal insert** with the addition of **MH** after the part numbers listed here. Example: KCRM-10 **MH** (Inner-Ø: 10 mm).