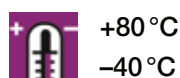


xirodur® B180 Slewing Ring Bearings | Product Range



Made of xirodur® B180
stainless steel balls

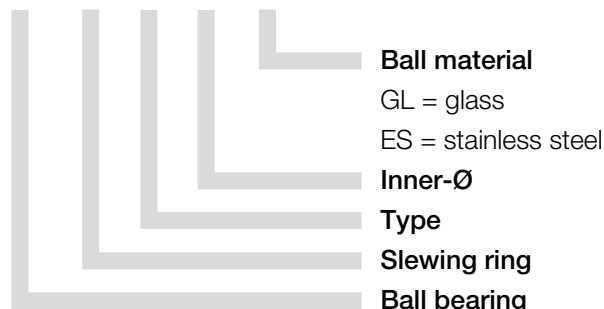


Made of xirodur® B180
glass balls



Order key

BB-RT-01-60-ES



Ball material

GL = glass

ES = stainless steel

Inner-Ø

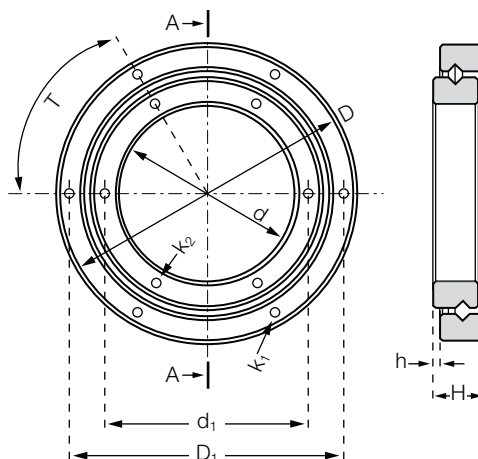
Type

Slewing ring

Ball bearing

The combination of stainless steel balls with polymer inner and outer races results in maintenance-free dry operation with low coefficients of friction. The xiros® slewing ring bearing can be used in temperatures up to +80 °C.

- Lubrication- and maintenance-free
- Low weight
- Corrosion-resistant
- Washable
- Cost-effective
- Electrically insulating



Dimensions [mm]

Part number	Ball	D	D1	d	d1	H	h	T	K1 Ø	K2 Ø
BB-RT-01-60-ES	1.4401	100	90	60	68	17.5	2.5	60	3.3	3.3
BB-RT-01-100-ES	New! 1.4401	160	150	100	110	20	5	60	6.4	6.4
BB-RT-01-60-GL	Glass	100	90	60	68	17.5	2.5	60	3.3	3.3
BB-RT-01-100-GL	New! Glass	160	150	100	110	20	5	60	6.4	6.4

Technical Data

Part number	Stat. bearing	Dyn. bearing	Max. speed	Weight
	load [N]	load [N]	[rpm]	[g]
BB-RT-01-60-ES	800	250	250	111.9
BB-RT-01-100-ES	New! 1,100	420	250	250.8
BB-RT-01-60-GL	800	250	250	98.3
BB-RT-01-100-GL	New! 1,100	420	250	231.1

 **delivery** from stock
time

 **prices** price list online
www.igus.eu/eu/xiros-rt