

Standard Part Management

Matt Krupa, Parker Hannifin Corporation
Technical Resource Manager



ENGINEERING YOUR SUCCESS.

THIS IS PARKER

- Parker and CADENAS partner to help solve the greatest engineering challenges. Parker can be found on and around everything that moves. Parker manufactures highly engineered components and systems that facilitate motion and the controlled flow of liquids and gasses for a wide variety of global markets to increase our customers' productivity and profitability. CADENAS provides Parker engineers the tools to support innovation and helps them in solving the world's greatest engineering challenges.



2000+ CAD / Inventor users

200 Vault File Store Servers

**3.5
Million
models
managed
on Vault**

2500 Vault Users

4000 Enovia users

500 Simulation users

**5 Million
documents
managed
on Enovia**

Parker Corporate Engineering Systems

- The purpose of the EES team is to promote best practices and provide exceptional support and solutions in the Engineering arena to maximize the success of our valued partners.



Engineering Systems Offerings



Training Classes

CAD/CAM

PDM/PLM

Simulation & FEA



Solution Service Packs

CAD/CAM Customization

PDM/PLM Workflow Best Practice

Project Execution Support

Fusion Lifecycle for CE, FDA etc

JDE/MSS Integration support



Enterprise Implementation

Location Strategy

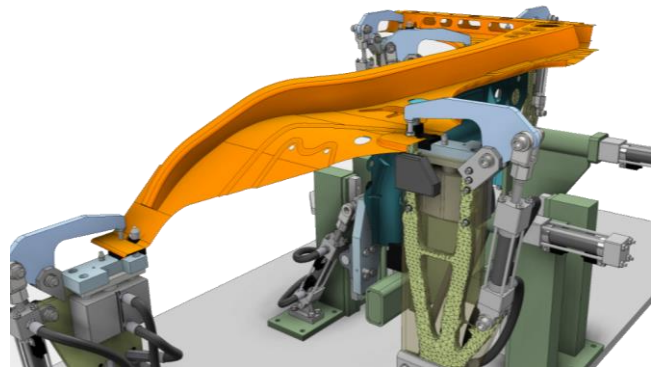
Enterprise Implementation

Legacy Replacement

Enterprise Integration

Enterprise Engineering Systems

- Key Design Technologies:
 - Autodesk Inventor
 - Autodesk Vault
 - Dassault Systemes Catia
 - Dassault Systemes Enovia
 - CADENAS PARTsolutions
 - Standard Part Management
 - Parker System Designer
 - T-Slot and Framing Architect



CADENAS and Parker



Usage Strategy

- Purpose:
 - The Purpose of deploying Part Solutions Part Management is to offer tools for searching and selecting common purchased components across the Enterprise.

Standard Part Management

- Parker Deployment
- Best Practice Usage within Parker eco System
 - Global catalog to promote single part number
 - Reuse strategy for standard Parker components

Standard Part Management

- Parker Deployment

- Lessons Learned

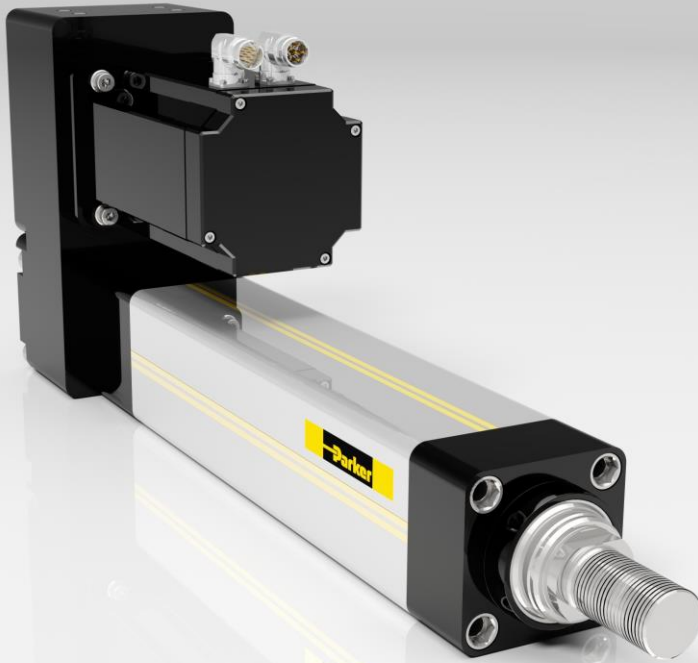
- One single part number not feasible for Parker
 - Using only catalog numbers not feasible for Parker
 - Direct integration with Vault not best for Parker

Standard Part Management

- Best Practice Usage within Parker eco System
 - Global catalog to promote single part number
 - Allow for Divisional part numbers that are linked to a unique identifier
 - Reuse strategy for standard Parker components

Standard Part Management – Next Steps

- Integration with Catia and Enovia
- Partsolutions Native Indexing Opportunities



Thank you.



Together, we can continue to push
the bounds of innovative technology.

