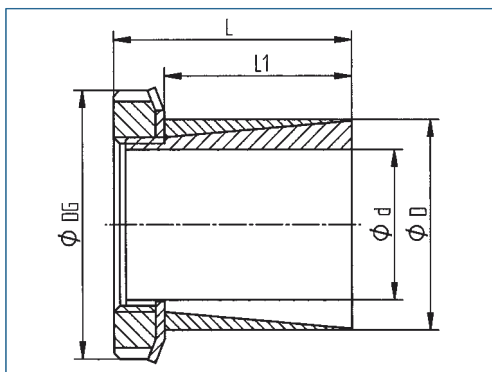


Locking Device

optional
nickel-plated version
optional full stainless
steel version



transmittable torque	low
surface pressure on hub	low
self-centering	yes
axial movement of the hub during assembly	no
height D/d	flat
overall length	long

Order Code

KBS 55 - 20 x 30

Type

Ød

ØD

Recommended finishing tolerances of contact surfaces are: shaft h8 / hub H8

Inner / Outer Ø dxD	Torque T Nm	Dimensions			Surface pressure on		Nut		Mass kg
		DG mm	L mm	L1 mm	Shaft Pw N/mm ²	Hub Pn N/mm ²	Size	TA Nm	
14 x 25	65	32	31	23	76	24	M20x1	95	0.08
15 x 25	70	32	31	23	72	26	M20x1	95	0.08
16 x 25	80	32	31	23	72	30	M20x1	95	0.07
17 x 25	100	32	31	23	80	37	M20x1	95	0.07
18 x 30	100	38	33	24	68	25	M25x1.5	160	0.13
19 x 30	105	38	33	24	64	26	M25x1.5	160	0.13
20 x 30	112	38	33	24	62	28	M25x1.5	160	0.13
22 x 35	175	45	38	29	66	26	M30x1.5	220	0.19
24 x 35	178	45	38	29	57	27	M30x1.5	220	0.17
25 x 35	185	45	38	29	54	28	M30x1.5	220	0.17
28 x 40	250	52	44	34	50	24	M35x1.5	340	0.22
30 x 40	270	52	44	34	47	26	M35x1.5	340	0.24
32 x 45	370	58	45	34	56	29	M40x1.5	480	0.32
35 x 45	390	58	45	34	50	30	M40x1.5	480	0.29
36 x 45	420	58	45	34	51	32	M40x1.5	480	0.29
38 x 50	500	65	46	35	52	30	M45x1.5	680	0.37
40 x 50	520	65	46	35	49	32	M45x1.5	680	0.34
42 x 55	650	70	47	35	56	33	M50x1.5	870	0.46
45 x 55	680	70	47	35	51	34	M50x1.5	870	0.40
48 x 60	840	75	48	36	54	34	M55x2	970	0.49
50 x 60	880	75	48	36	52	36	M55x2	970	0.44
55 x 65	1030	80	48	36	50	36	M60x2	970	0.48
56 x 68	806	80	48.5	36	38	26	M60x2	1100	0.50
60 x 70	1360	85	50	36	56	41	M65x2	1300	0.59
63 x 79	1150	92	50	36	43	27	M70x2	1300	0.80
65 x 79	1200	92	50	36	42	28	M70x2	1300	0.76