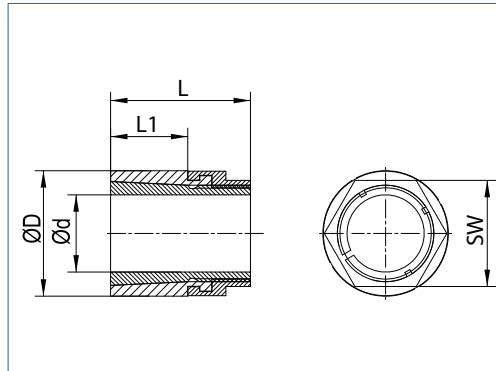


## Locking Device

optional full stainless steel version

nickel-zinc-plating inclusive



transmittable torque	low
surface pressure on hub	low
self-centering	yes
axial movement of the hub during assembly	yes
height D/d	flat
overall length	short

Order Code **KBS 56 - 8 x 20**  
Type                      Ød                      ØD

Recommended finishing tolerances of contact surfaces are: shaft js 9 / hub JS 9

Inner / Outer d x D	Torque T Nm	Dimensions			Surface pressure on		Axial Force F <sub>AX</sub> (kN)	T <sub>A</sub> (Nm)	Mass g
		L mm	L 1 mm	SW mm	Shaft P <sub>w</sub> N/mm <sup>2</sup>	Hub P <sub>n</sub> N/mm <sup>2</sup>			
5 x 16	11	19	10	13	233	23	4	10	19.0
6 x 16	13	19	10	13	192	27	4	10	18.0
7 x 20	35	22	11	16	344	42	10	28	34.0
8 x 20	40	22	11	16	301	48	10	28	33.0
9 x 20	45	22	11	16	268	54	10	28	32.0
10 x 23	65	26	13	19	265	50	13	44	49.0
11 x 23	72	26	13	19	243	56	13	44	47.0
12 x 23	79	26	13	19	224	61	13	44	45.0
14 x 26	118	29	16	22	200	58	17	66	65.0
15 x 26	126	29	16	22	186	62	17	66	62.0
16 x 26	135	29	16	22	175	66	17	66	59.0
20 x 45	290	48	22	45	175	35	29	85	82.0
22 x 45	315	48	22	45	157	38	29	85	84.0
24 x 45	380	48	22	45	159	45	31	85	89.0
25 x 45	390	48	22	45	150	46	31	85	93.0