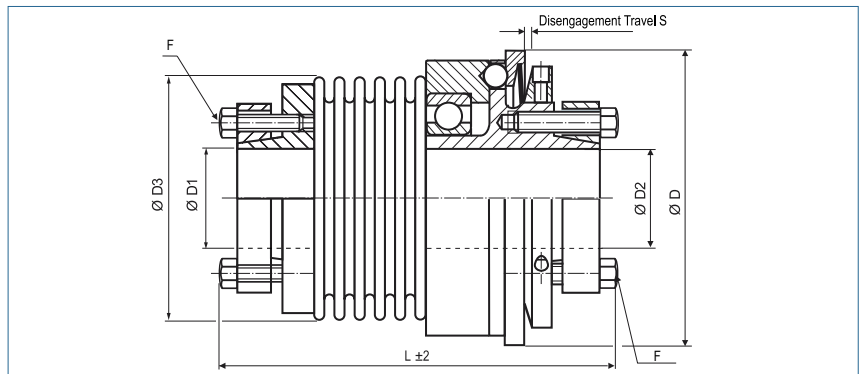


Safety Coupling

with two outer cones

optional  
nickel-plated version  
optional full stainless  
steel version

optional  
laserwelded



<b>Order Code</b>	<b>KBK/BAA - 60 - 108 - 15H7 - 18H7 - 20Nm - C or D - 2</b>						
	Type	Size	Length	ØD1 (H7)	ØD2 (H7)	Disengagement Torque	Torque Range
						C = Single Position D = Multi Position Engagement	

Size	Dimensions (mm)							Technical Data										
	ØD	L	ØD1	ØD2	ØD3	F	S	max. speed (1/min)	Mass (kg)	Moment of Inertia J (kg cm²)	Torque Range		Spring Stiffness			Misalignment		
	Outer Ø	Length	Bore Size (H7) min-max	Bore Size (H7) min-max		Screw ISO4017 TA (Nm)	1 TKN (Nm)				2 TKN (Nm)	torsional x10³ CT (Nm/rad)	radial CR (N/mm)	axial CA (N/mm)	radial Δ Kr (mm)	axial Δ Ka (mm)	angular Δ Kw (°)	
-10	49	66	5-14	5-14	40.5	M3	0.7	11650	0.27	0.6	3 - 5	7 - 10	8.1	120	27	0.15	0.4	1.5
		75	10#	10#		2.1					6.8	29	17	0.3	0.6	2		
-30	64	78	12-20	12-20	56	M5	1.2	9540	0.74	3.0	5 - 10	10 - 30	38	720	50	0.15	0.6	1.5
		87	14#	14#		5.9					30	28	225	28	0.25	1	2	
-60	79	97	15-32	15-30	66	M5	1.2	8180	1.41	8.6	12 - 15	20 - 30	75	1150	90	0.15	0.6	1.5
		108	24#	22#		8.7					35	60	50	340	50	0.25	1	2
-80	94	116	20-35	20-35	82	M6	2	6220	2.6	23	15 - 15	30 - 80	128	1200	80	0.2	0.5	1.5
		129	27#	27#		15					40	80	75	400	50	0.25	0.8	2
-150	94	116	20-35	20-35	82	M6	2	6220	2.6	23	50 - 50	65 - 150	155	2020	145	0.2	0.5	1.5
		129	27#	27#		15					130	150	105	595	85	0.25	0.8	2
-200	109	118	20-42	20-42	90	M6	2	5720	2.9	35	30 - 30	80 - 200	175	2500	147	0.2	0.5	1.5
		132	34#	34#		15					90	200	116	460	82	0.25	0.8	2
-300	119	141	25-50	25-50	110	M8	2	5200	4.6	70	60 - 60	150 - 300	502	6300	280	0.2	0.5	1.5
		152	41#	41#		25					200	300	285	1400	145	0.25	0.8	2
-500	129	159	35-55	35-55	122	M8	2	4470	6.8	121	80 - 80	200 - 500	690	7790	100	0.2	0.5	1.5
		171	45#	45#		36					250	500	320	970	85	0.25	1	2
-800	169	250	50-70	50-70	157	M12	2	3350	17.7	514	240 - 240	500 - 800	700	500	185	0.2	0.8	1.8
			58#	58#		85					600	800						
-1400	169	250	50-70	50-70	157	M12	2	3350	17.8	516	360 - 360	900 - 1400	1270	700	275	0.2	0.8	1.8
			58#	58#		115					1000	1400						

<b>Material</b>	outer cone - steel bellows - stainless steel
<b>Keyway</b>	optional acc. DIN 6885 biggest bore marked with a #
<b>Temperature Range</b>	-30 °C ~ 120 °C