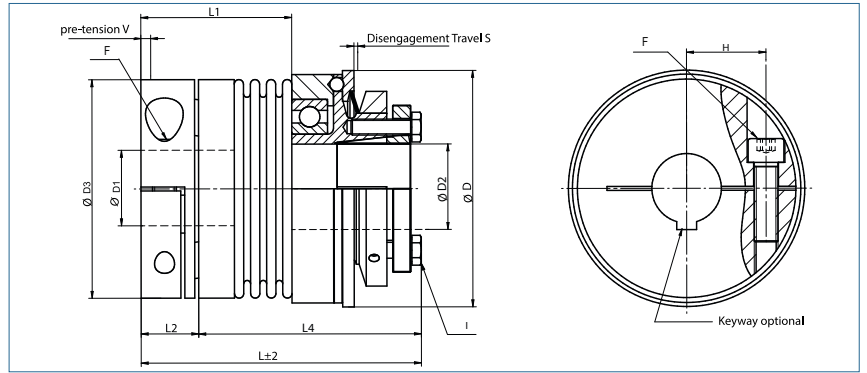


Safety Coupling

axial pluggable, with inner cone

optional
nickel-plated version
optional full stainless
steel version

optional
laserwelded



Order Code

KBK/BKPI-60 - 105 - 16H7 - 14H7 - 20Nm - C or D - 1

Type Size Length ØD1 (H7) ØD2 (H7) Disengagement Torque Torque Range

C = Single Position D = Multi Position Engagement

Size	Dimensions (mm)										Technical Data										
	ØD	L	Ø D1	Ø D2	Ø D3	H	F	L1	I	S	max. speed (1/min)	Mass (kg)	Moment of Inertia J (kg cm²)	Torque Range		Spring Stiffness			Misalignment		
	Outer Ø	Length	Bore Size (H7) min-max	Bore Size (H7) min-max	Hub Ø	Screw ISO4762 TA (Nm)	Screw ISO4017 TA (Nm)	1 TKN (Nm)	2 TKN (Nm)	torsional x10³ CT (Nm/rad)				radial CR (N/mm)	axial CA (N/mm)	radial Δ Kr (mm)	axial Δ Ka (mm)	angular Δ Kw (°)			
-10	49	73	6-25	6-14	40	15.5	M4	42	M3	0.7	11690	0,30	0,83	3 - 7	5 - 10	8.1	120	27	0.15	0.4	1.5
		83	18#	10#			4,5	52	2.1					6.8	29	17	0.3	0.6	2		
-30	64	84	10-30	12-20	56	20	M6	47	M5	1.2	9540	0,67	3,21	5 - 15	10 - 30	38	720	50	0.15	0.6	1.5
		93	22#	14#			15	55	6					28	225	28	0.25	1	2		
-60	79	96	12-35	15-25	66	23	M8	56	M6	1.2	8180	1,15	7,90	12 - 35	20 - 60	75	1150	90	0.15	0.6	1.5
		106	27#	18#			40	66	8.5					50	340	50	0.25	1	2		
-80	94	110	14-44	20-35	82	28	M10	62	M6	2	6220	1,89	20,61	15 - 40	30 - 80	128	1200	80	0.2	0.5	1.5
		122	36#	27#			72	73	14					75	400	50	0.25	0.8	2		
-150	94	110	19-44	20-35	82	28	M10	62	M6	2	6220	1,89	20,61	50 - 130	65 - 150	155	2020	145	0.2	0.5	1.5
		122	36#	27#			84	73	14					105	595	85	0.25	0.8	2		
-200	109	117	22-48	20-40	90	31	M12	67	M6	2	5720	2,54	26,63	30 - 90	80 - 200	175	2500	147	0.2	0.5	1.5
		126	39#	32#			125	79	14					116	460	82	0.25	0.8	2		
-300	119	140	20-60	25-45	110	39	M12	76	M8	2	5200	3,84	69,77	60 - 200	150 - 300	502	6300	280	0.2	0.5	1.5
		150	50#	37#			145	87	18					285	1400	145	0.25	0.8	2		
-500	129	164	25-70	35-55	122	42	M12	94	M8	2	4470	5,13	118,22	80 - 250	200 - 500	690	7790	100	0.2	0.5	1.5
		175	58#	45#			145	105	26					320	970	85	0.25	1	2		

Material bellows – stainless steel
inner cone - steel
plug hub- aluminium

Keyway optional acc. DIN 6885
biggest bore marked with a #

Temperature Range -30 °C ~ 120 °C

	Dimensions (mm)			
	E1	L2	L3	V
KBK/BKPI 10	12	13	21	0.5-1.0
KBK/BKPI 30	17	19	31	0.5-1.0
KBK/BKPI 60	21	23	35	0.5-1.5
KBK/BKPI 80	21.5	23.5	37.5	0.5-1.5
KBK/BKPI 150	21.5	23.5	37.5	0.5-1.5
KBK/BKPI 200	24	26	42	0.5-1.5
KBK/BKPI 300	27	29	47	0.5-1.5
KBK/BKPI 500	42	44	66	0.5-2.0

