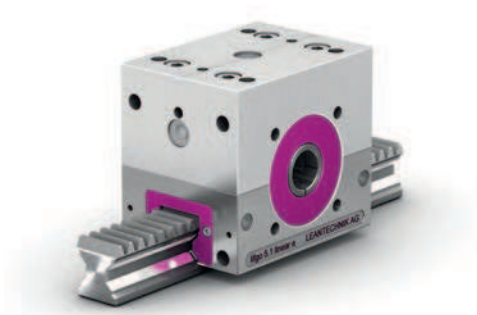

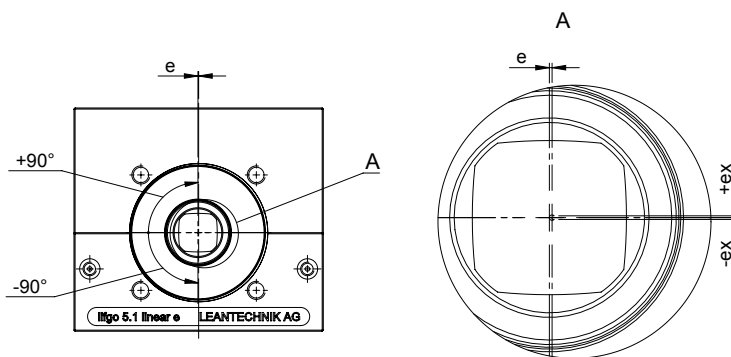


### 3.1.2.4 lifgo® linear eccentric 5.0 – 5.3 • Dimension sheet



 Make sure that the article number refers to the correct pinion shaft version.



- ! The dimensions of the “eccentric” version are identical to those of the lifgo® linear. Please use the dimensions on Page 57.
- ! In the “eccentric” version, the pinion shaft is adjusted relative to the gear rack, allowing the tooth flank clearance to be adjusted. It can be readjusted at a later time. Motor flanges, gearbox bell housings, etc. remain centered on the pinion during adjustment.
- ! Note that “eccentric” gearboxes cannot be combined with standard gearboxes (centered bearings). The pinion shafts are not aligned. (Max. lateral error 0,3 mm).
- ! Follow the instructions for use, available as a separate PDF. A printed copy is included with the gearboxes.

lifgo® linear eccentric reduced play		Unit	5.0	5.1	5.3
Adjustment range	e	mm	± 0,200	± 0,300	± 0,300
Adjusting steps	n	mm	± 4	± 6	± 6
Adjustment per step	e0	mm	0	0	0
	e1	mm	± 0,076	± 0,078	± 0,078
	e2	mm	± 0,141	± 0,150	± 0,150
	e3	mm	± 0,185	± 0,212	± 0,212
	e4	mm	± 0,200	± 0,260	± 0,260
	e5	mm		± 0,290	± 0,290
	e6	mm		± 0,300	± 0,300

Article number	5.0	5.1	5.3
lifgo® linear eccentric PWV	500 049	500 050	500 051
lifgo® linear eccentric ZA 1	500 053	500 054	500 055
lifgo® linear eccentric ZA 2	500 057	500 058	500 059
lifgo® linear eccentric PFN	500 061	500 062	500 063