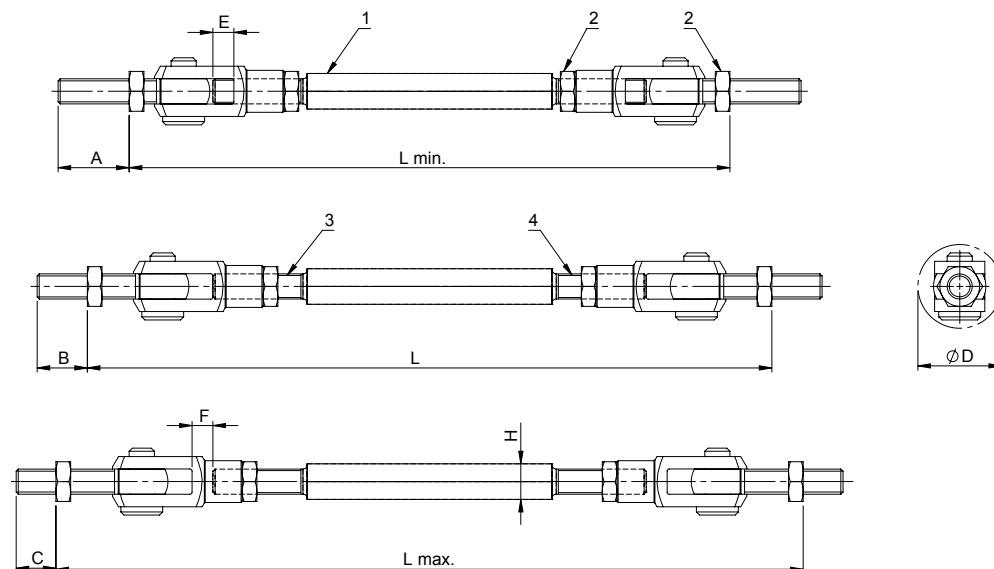


Differential coupling 5.0 - 5.3 • Dimension sheet

The differential coupling is an adjustable tie rod. It is installed horizontally or vertically as a connector between two gear racks. Follow the installation and usage instructions shown in the sample pictures starting on page 29.



! Differential couplings must be axially flush when installed, and may be used only as draw bars. Please also follow our installation tips and the installation videos on the Internet.

The minimum screw-in depth "C" (eyebolt/gear rack) must be maintained.

Always add the length "L = _ _ _ _" to the article number.

Differential coupling for lifgo® & lean SL®	Unit	5.0	5.1	5.3	
A	mm	20	25	35	
B	mm	18	23	30	
Screw depth min.	C	mm	15	20	25
Opening	D	mm	ø 35	ø 40	ø 65
	E	mm	- 8	- 10	- 15
Adjustment range over coupling rod	F	mm	+ 8	+ 10	+ 15
	G	mm	± 16	± 20	± 30
1 coupling rod	H	mm	SW 14	SW 17	SW 27
	L	mm	as per customer data		
Adjustment range	L min.	mm	L min. = L - 2xE - 2x (A - B)		
	L max.	mm	L max. = L + 2xF + 2x (B - C)		
Installation length L of	from	mm	186	232	374
	to	mm	1500	1700	2000
Dynamic tensile force	F _{max} dyn.	N	8700	12600	36700
Static tensile force	F _{max} stat.	N	11600	16800	49000
2 lock nut		mm	SW 17	SW 19	SW 30
3 left-hand thread		mm	M10x1.25	M12x1.25	M20x1.5
4 right-hand thread		mm	M10x1.25	M12x1.25	M20x1.5
Weight		kg/m	1.15+0.27 kg	2.01+0.50 kg	3.64+2.20 kg

Article number	lifgo® & lean SL®	5.0	5.1	5.3
Differential coupling	all lengths	500 189	500 190	500 191