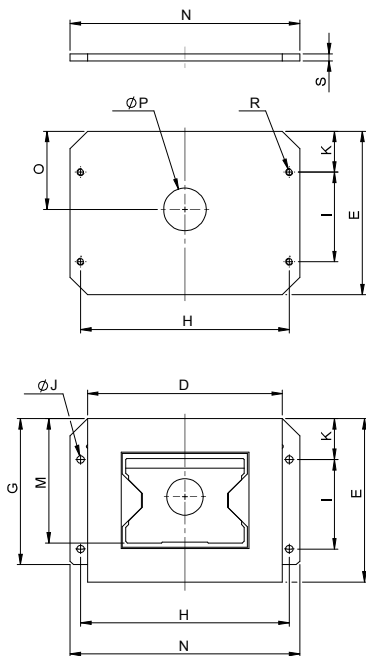


## lifgo® & lifgo® linear gear rack protection & end plate • Dimension sheet

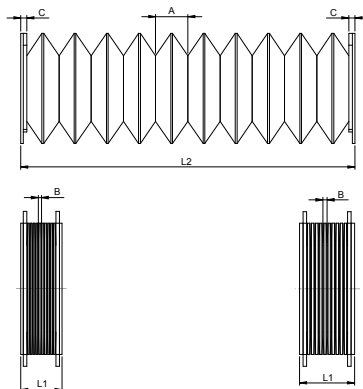
When choosing a gear rack protection, please note that the standard version is not suitable for use in welding areas. The version "SB" is suitable for use in welding areas. The end plate is used for mounting the gear rack protection on the lifgo® linear gear rack.



**Gear rack protection & end plate lifgo®**



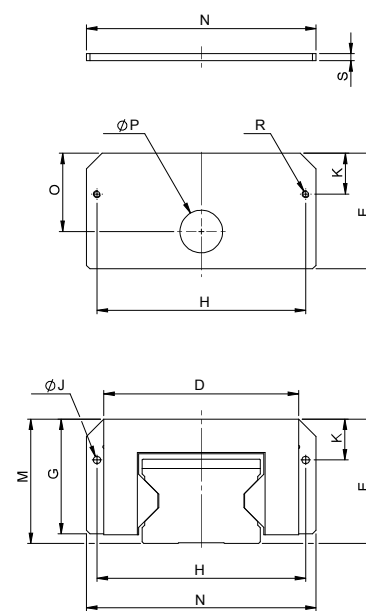
**End plate lifgo®**



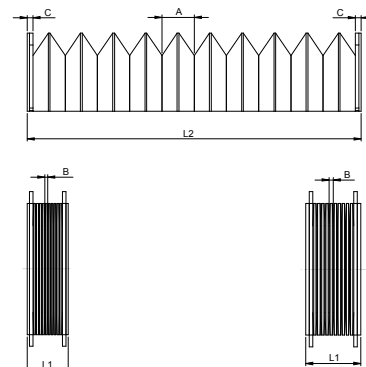
**Gear rack protection lifgo®, lifgo® SB**



**Gear rack protection & end plate lifgo® linear**



**End plate lifgo® linear**



**Gear rack protection lifgo® linear, lifgo® linear SB**

- ❗ Check whether the operating conditions require a gear rack protection.
- ❗ Note that in its retracted state, the "SB" version requires 1,0 mm more installation space per fold (dimensions A, B and C). The gear rack protection is shipped with retaining plates and screws.
- ❗ The gear rack protection is silicone-free.
- ❗ Always add the number of folds "F = \_ \_ \_" to the article number.

lifgo® / lifgo® linear gear rack protection	Unit	lifgo®	lifgo® SB	lifgo® linear	lifgo® linear SB	
Stroke per fold	A	mm	27,5	28,5	27,5	28,5
	B	mm	2,5	3,5	2,5	3,5
	(A – B)	mm	25	25	25	25
	C	mm	5	6	5	6
	D	mm	112	112	112	112
Number of folds	E	mm	94	94	66,5	66,5
	F	each	as per customer data			
	G	mm	84	84	66	66
	H	mm	120	120	120	120
	I	mm	51,5	51,5		
Stroke	J	mm	∅ 4,3 √8,5 x 90°	∅ 4,3 √8,5 x 90°	∅ 4,3 √8,5 x 90°	∅ 4,3 √8,5 x 90°
	K	mm	23,5	23,5	23,5	23,5
	L	mm	$L = L2 - L1 = F \times (A - B)$			
	L1	mm	$L1 = 2 \times C + F \times B$			
	L2	mm	$L2 = 2 \times C + F \times A$			
	M	mm	71,5	71,5	71,5	71,5
	N	mm	132	132	132	132
	O	mm	45	45	45	45
	P	mm	∅ 20,5	∅ 20,5	∅ 20,5	∅ 20,5
	R	mm	M4	M4	M4	M4
S	mm	4	4	4	4	

Article number	lifgo®	lifgo® SB	lifgo® linear	lifgo® linear SB
lifgo® rack protection	500 124	500 854	500 128	500 855
lifgo® end plate	500 881	500 881	500 882	500 882