

Small fibre-optic distributors



System accessories Page 507

Benefits:

- Mounting plate with variable accommodation for up to two splicing cassettes (cassette width variable from 92 to 120 mm) and integral anti-twist guard
- Dividing plate with comb strip for cable clamping, to cover the splicing cassette, and to accommodate 2 patch panels
- Cable entry via prepunched knockouts using cable glands (2 x 22.5 mm and 12 x 12.5 mm)

Material:

- Enclosure with cover: Fibre-glass-reinforced polycarbonate
- Cover screws: Polyamide
- Insulating bungs: Polyamide
- Foamed-in PU seal

Colour:

- RAL 7035

Protection category IP to IEC 60 529:

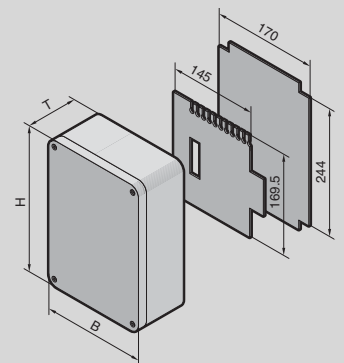
- IP 66

Supply includes:

- Enclosure with knockouts for cable glands
- Hinged cover with seal
- 2 cover screws, prepared for a lead seal
- Insulating bungs for wall mounting
- Mounting plate
- Dividing plate
- 12 cable glands PG 7
- 1 cable gland PG 16

Technical details:

Available on the Internet



with mounting plate and splicing cassette accommodation

Width (B) mm	Packs of	180	Page
Height (H) mm		254	
Depth (T) mm		90	
Maximum number of fibres (when using patch panels)		24	
Model No.	1 pc(s).	7451.000	
Accessories			
Patch panels for small fibre-optic distributors		see page	698
Wall mounting brackets	1 pack(s)	9583.000	27