

Micro Data Centre



System accessories Page 507

Applications:

- Protection for server and storage applications
- Protection for business-critical data
- Storage of personal data, e.g. doctors' surgeries or tax advisors

Benefits:

- Complete system with built-in cooling and 482.6 mm (19") rack
- High level of operational and service-friendliness thanks to the two-door system
- Compatibility with other infrastructure elements
- Tested security – testing has been carried out by accredited institutes and confirmed with test reports

Protection standards:

- Fire protection category F 90 to DIN 4102 Part 2, compliance with limits $\Delta T < 50$ K, rel. humidity < 85 % over 10 minutes
- Burglar protection WK II, tool attack analogous to DIN V ENV 1630/1999-04/WK II

Material:

- Sheet steel, coated

Colour:

- Enclosure and service door: RAL 7035
- Operator door: RAL 9005

Protection category IP to IEC 60 529:

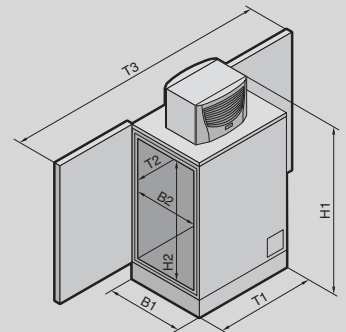
- IP 55

Supply includes:

- Security enclosure with operating and service doors (three-point locking)
- Cable entry in both side elements
- Cooling 2.4 kW designed as a split unit

Technical details:

Available on the Internet



Level A

Units U		15	Page
Cooling output W		2400	
External dimensions mm	Width (B1)	806	
	Height (H1)	1699	
	Depth (T1)	1270	
	Depth (T3)	2746	
Internal dimensions mm	Width (B2)	620	
	Height (H2)	827	
	Depth (T2)	1024	
Weight excluding internal fittings, including climate control unit approx. kg		360	
Model No. Micro data centre with built-in 482.6 mm (19") rack		7999.999	
Model No. Micro data centre without built-in 482.6 mm (19") rack		7999.898	
Accessories			
482.6 mm (19") rack, 15 U, depth 1000 mm		7995.992	
Fire alarm and extinguisher system DET-AC/EFD Plus		see page	473
CMC monitoring system		see page	446
PDU – Power Distribution Unit		see page	416

Standard protection from:



Fire



Extinguishing water



Vandalism



Unauthorised access



Dust



Theft/burglary