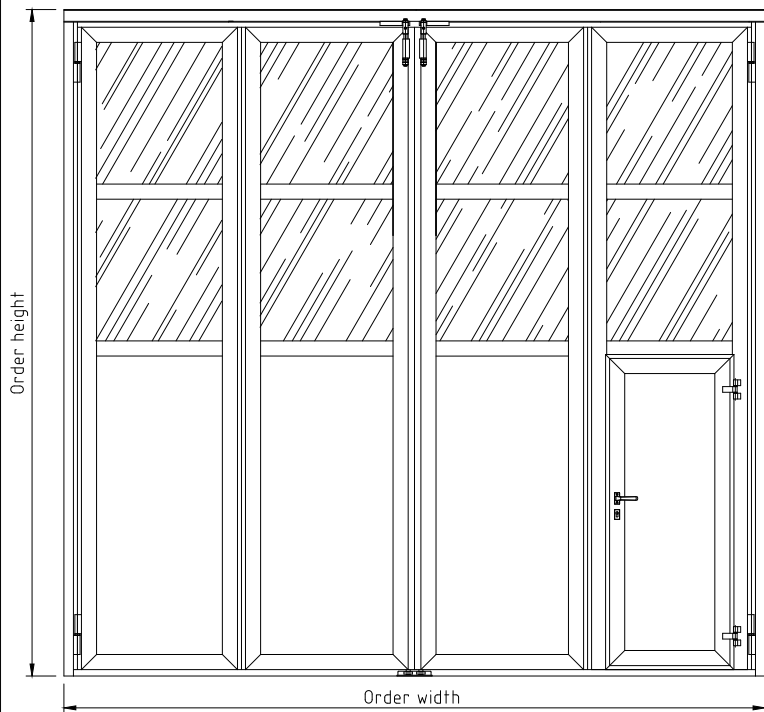
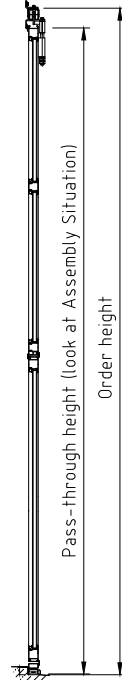


External View (Scale 1:50)

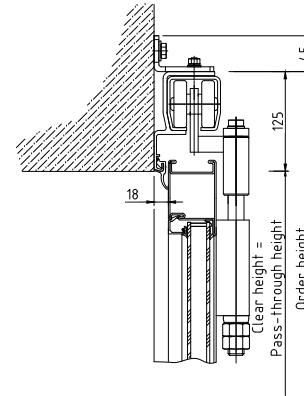


Vertical Cut (Scale 1:50)

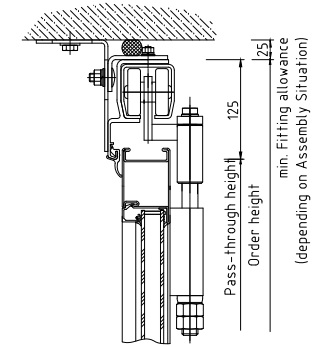


Assembly Situation on the Ledge (Scale 1:10)

a) In front of or behind the reveal IR/BR

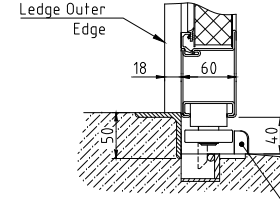


b) In the reveal IR

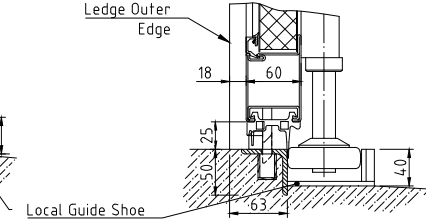


Bottom Details (Scale 1:10)

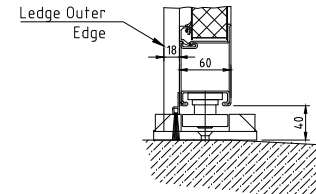
a) Threshold 50



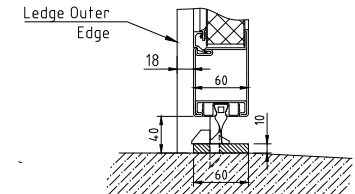
b) Threshold 50 D



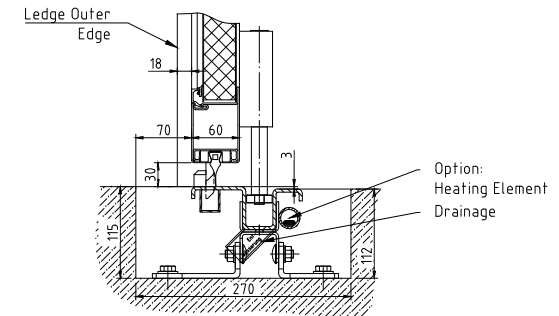
d) Brush finish BA



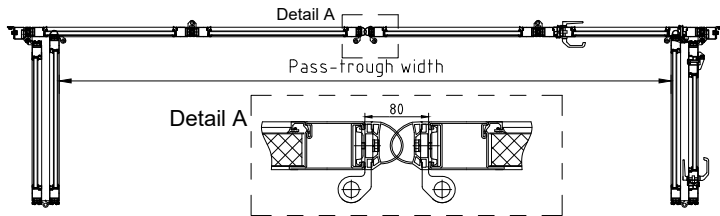
e) Threshold 10



f) Floorguide

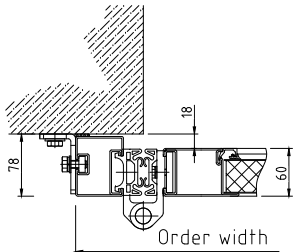


Horizontal Cut (Scale 1:50)

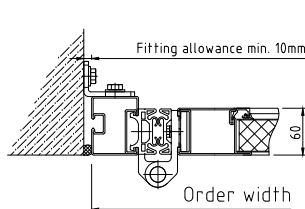


Assembly Situation (Scale 1:10)

a) In front of or behind the reveal IR/BR



b) In the reveal IR



Architectural Sheet
ST602F

KR

05.08.2019

SCHNEIDER
Torsysteme