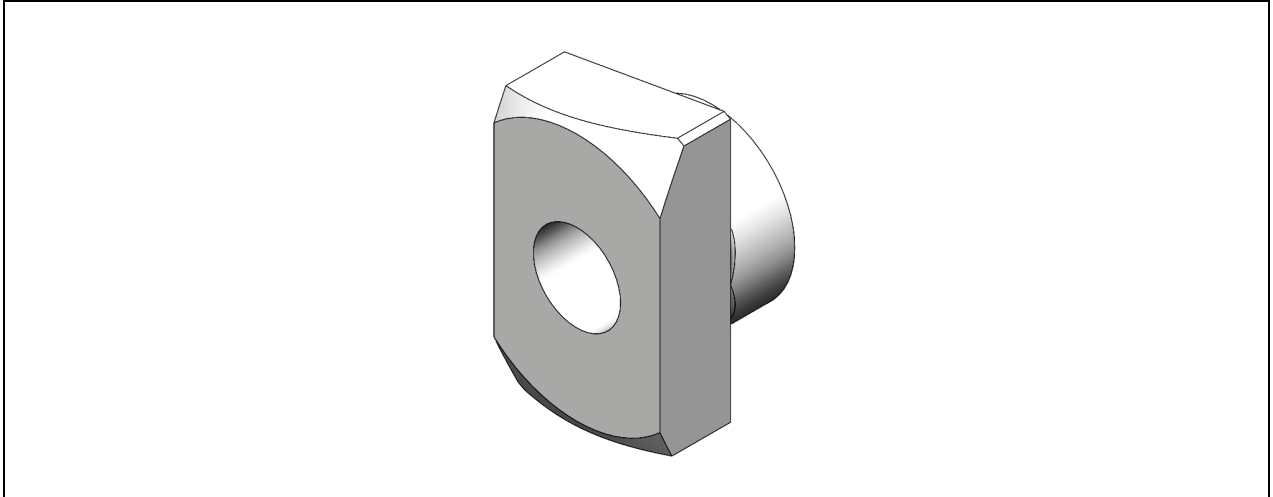


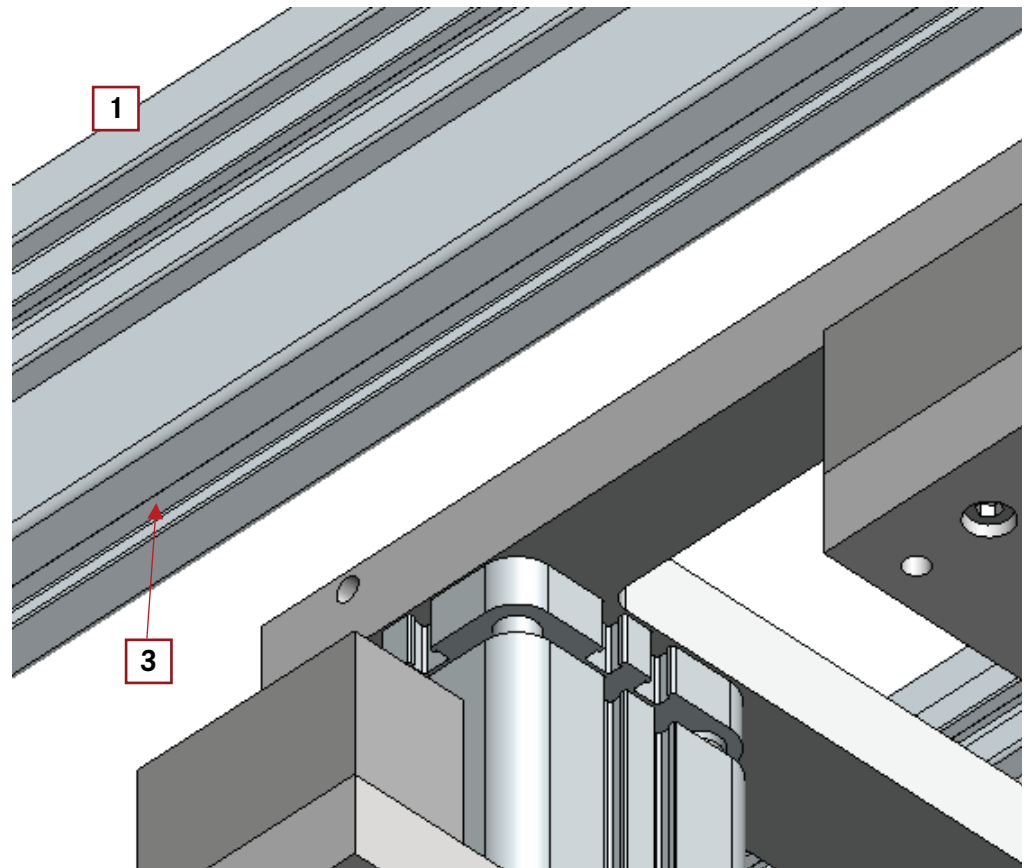
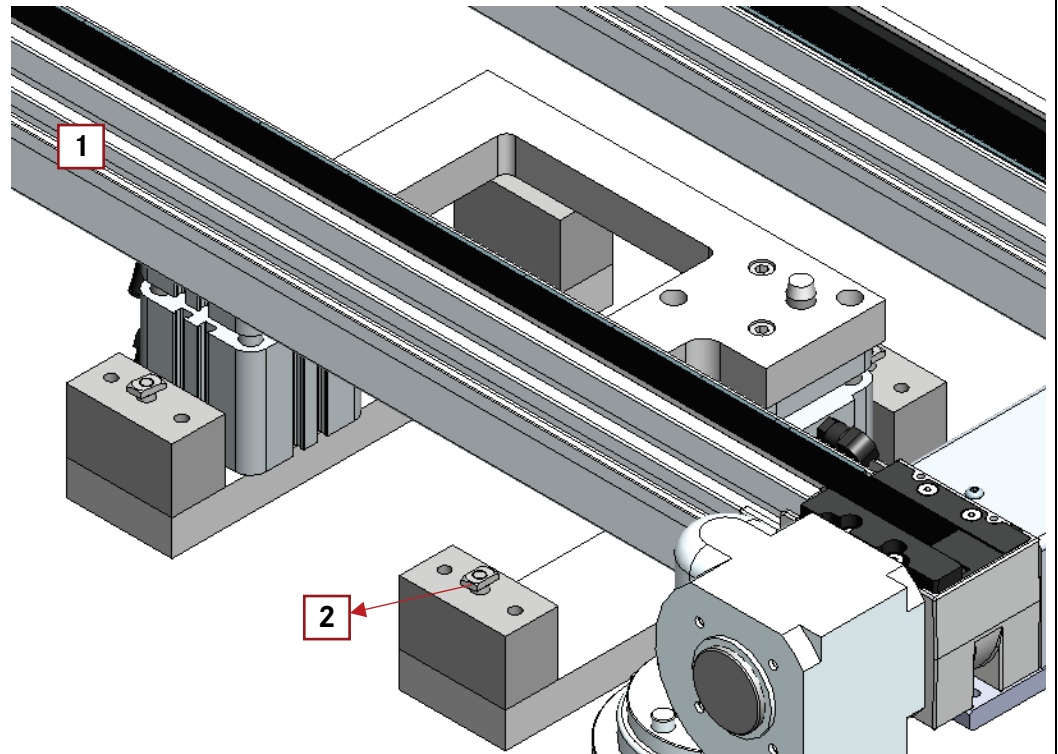
## Slot nut M5 (S3 1400)



The slot nut is used to fasten parts and assemblies to the STEIN300 belt element profile. The basic profile of the hinge element has 3 grooves for this purpose. As a rule, stoppers, stops, lower sensor, transfer unit, etc. are fastened there. Please note that the belt profile can only bear limited loads. This may have to be considered separately.

## Example of use

- 1 Belt element profile
- 2 Slot nut
- 3 Groove



## Mounting: Slot nut

- 1 Belt element-profile with groove
- 2 **Slot nut**
- 3 Insert the slot nut into the groove
- 4 Turn slot nut in the profile, assembly fixed in profile groove
- 5 Grooves in the belt profile

