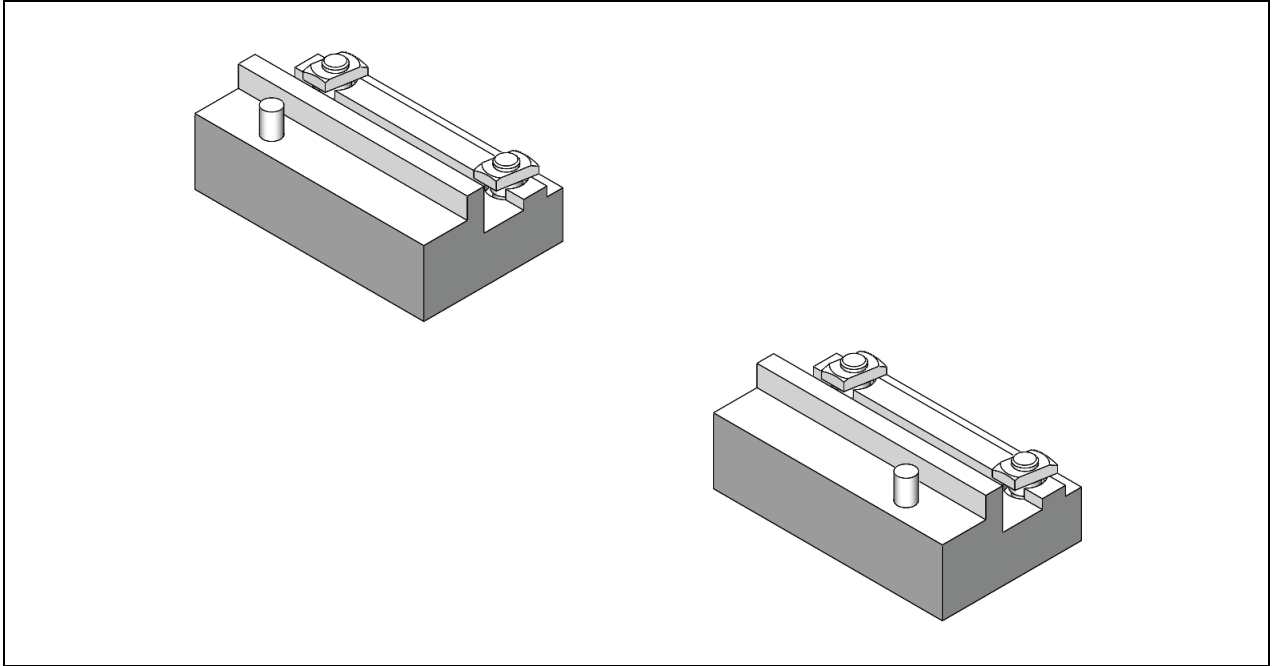


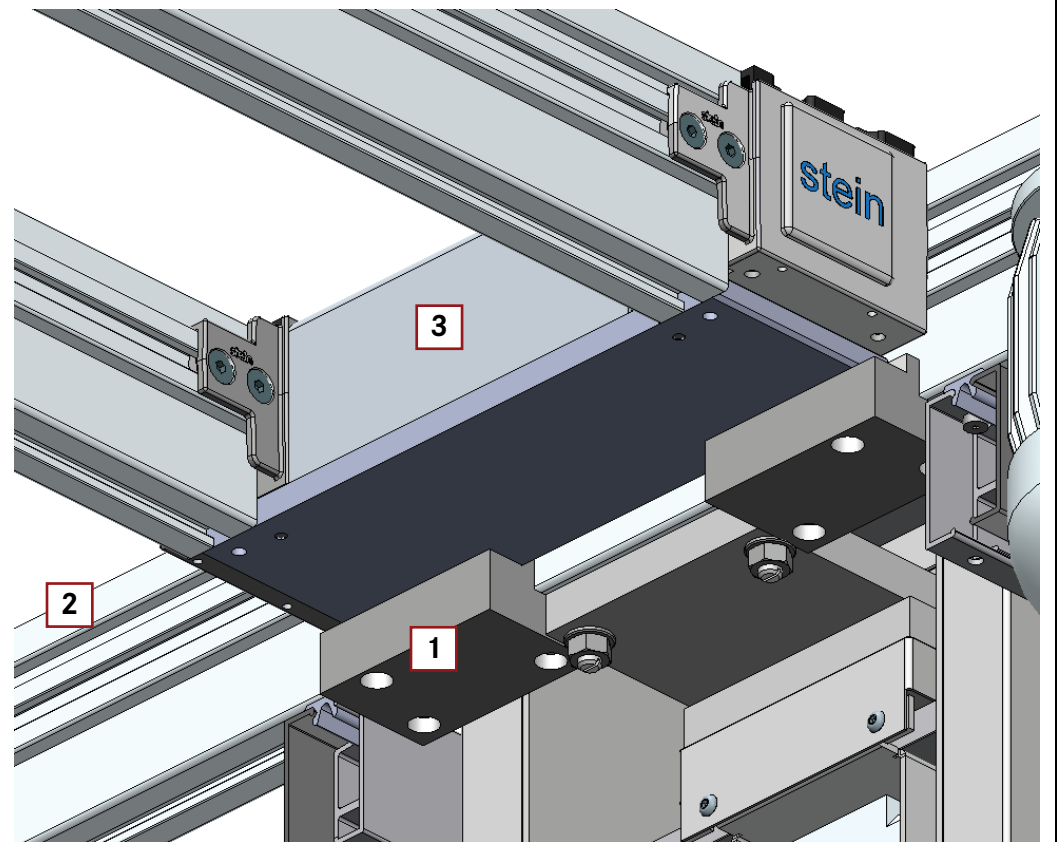
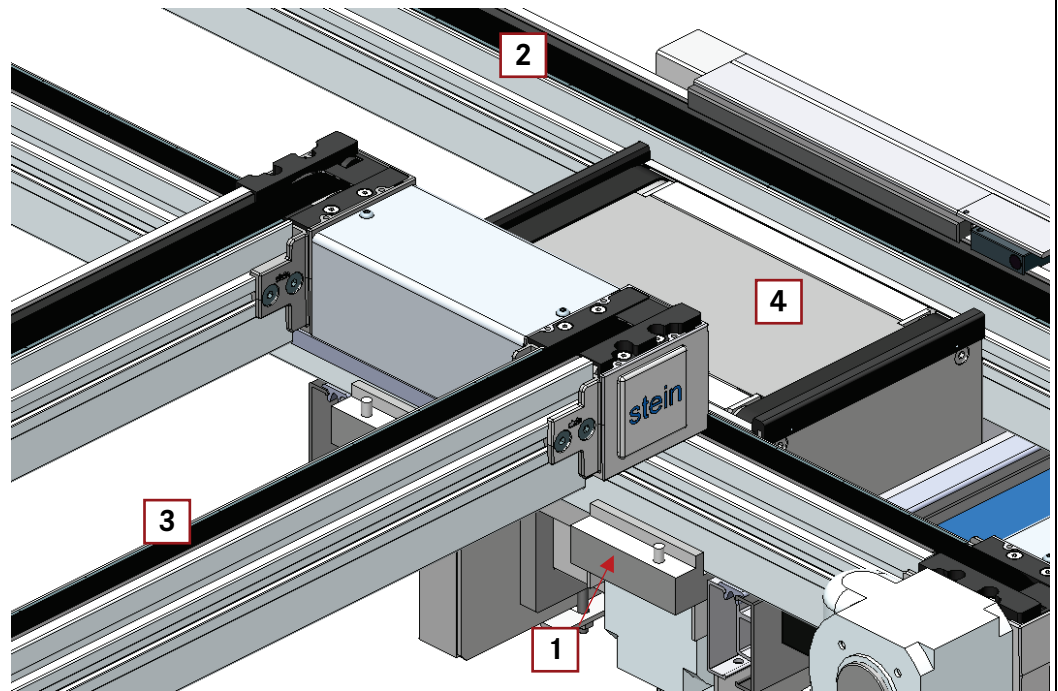
## Cross section holder (307000001)



The cross section holder (QSH) is used to attach the cross section element to the main belt element. This is used to convert the height between the main band element (height level 0mm) and the cross-section element (height level +6.7mm).

## Example of use

- 1 Cross section holder QSH
- 2 Belt element (Main belt height level 0)
- 3 Belt element (Cross section +6,7mm)
- 4 Transfer unit



## Mounting: Cross section holder

- 1 Belt element
- 2 Cross section holder QSH
- 3 Belt element cross section

